

# » PERFECT PRO

## WORK·STATION 2 » PERFECT PRO

INSTRUCTION MANUAL **GB**  
MANUEL DE L'UTILISATEUR **F**  
GEBRUIKSAANWIJZING **NL**  
BEDIENUNGSANLEITUNG **D**





Brand: Perfectpro

Product name: Workstation 2

Art.nr.: WS2BT

#### **ENG Declaration of Conformity**

Prime Europe B.V. hereby declares that this model WS2BT is in compliance with the essential requirements and other relevant provisions of Directive 2014/53/EU and also fulfills all the relevant provisions of EC/EU Directives: 2011/65/EU.

The EU declaration of conformity is available at the following internet address:

<http://www.perfectpro.nl/support/ce-docs/>

#### **F Déclaration de conformité**

Prime Europe B.V. déclare que ce modèle WS2BT est conforme aux exigences essentielles et aux autres dispositions pertinentes de la directive 2014/53/EU et remplit toutes les dispositions pertinentes des directives CE/UE: 2011/65/UE.

La déclaration de conformité de l'UE est disponible à l'adresse Internet suivante:

<http://www.perfectpro.fr/supports/ce-docs/>

#### **NL Conformiteitsverklaring**

Prime Europe B.V. verklaart hierbij dat dit model WS2BT voldoet aan de essentiële eisen en andere relevante bepalingen van richtlijn 2014/53/EU en ook voldoet aan de relevante bepalingen van de EG/EU-richtlijnen: 2011/65/EU.

De EU-conformiteitsverklaring is beschikbaar op het volgende internetadres:

<http://www.perfectpro.nl/support/ce-docs/>

#### **DE Korformitätserklärung**

Prime Europe B.V. erklärt hiermit, dass dieses Modell WS2BT den grundlegenden Anforderungen und anderen einschlägigen Bestimmungen der Richtlinie 2014/53/EU entspricht, und auch alle einschlägigen Bestimmungen der EG/EU-Richtlinien erfüllt: 2011/65/EU.

Die EU-Korformitätserklärung steht unter folgender Internetadresse zur Verfügung:

<http://www.perfectpro.de/support/ce-docs/>

#### **Prime Europe B.V.**

Everdenberg 9a, 4902 TT, Oosterhout, The Netherlands

DOC-EC2019-A1-WS2BT

## CONTENTS

IMPORTANT SAFETY INSTRUCTIONS .....	P.2
CONTROLS .....	P.3
POWER SUPPLY .....	P.5
GENERAL FUNCTIONS .....	P.6
USING THE RADIO FOR THE FIRST TIME .....	P.7
DAB MODE (DAB/DAB+) .....	P.8
FM MODE .....	P.10
PRESET STATIONS .....	P.12
MANUALLY SETTING CLOCK .....	P.12
BLUETOOTH MODE .....	P.13
CHARGING A MOBILE PHONE .....	P.15
OPERATING THE RADIO – AUX IN .....	P.15
LOUDNESS .....	P.16
TONE (BASS/TREBLE SETTINGS) .....	P.16
METAL TELESCOPIC ANTENNA .....	P.16
LANGUAGES .....	P.17
SOFTWARE VERSION .....	P.17
SYSTEM RESET .....	P.18
BACKLIGHT .....	P.18
ATP PASSCODE .....	P.19
RADIO NAME OPTION .....	P.20
WARRANTY .....	P.21
TECHNICAL SPECIFICATIONS .....	P.21

**WARNING ! WARRANTY BECOMES VOID ONCE THE DEVICE CABINET HAS BEEN OPENED OR ANY MODIFICATIONS TO THE ORIGINAL DEVICE HAVE BEEN MADE**



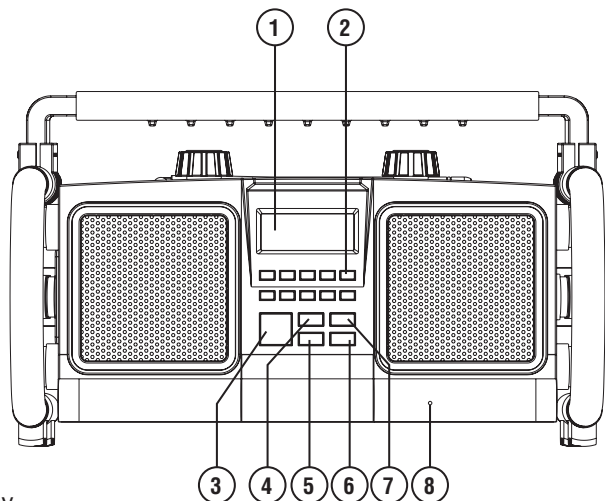
## IMPORTANT SAFETY INSTRUCTIONS

1. Read these instructions.
2. Keep these instructions.
3. Heed all warnings.
4. Follow all instructions.
5. Clean only with dry cloth.
6. Do not block any ventilation openings. Install in accordance with the instructions.
7. Do not install near any heat sources such as radiators, heat registers, stoves or other apparatus (including amplifiers) that produce heat.
8. Do not defect the safety purpose of the polarized or grounding – type plug. A polarized plug has two blades with one wider than the other. A grounding type plug has two blades and a third grounding prong. The wide blade or the third prong is provided for your safety. If the provided plug does not fit into your outlet, consult an electrician for replacement of the obsolete outlet.
9. Protect the power cord from being walked on or pinched particularly at plug, convenience receptacles, and the point where they exit from the apparatus.
10. Only use attachments/accessories specified by the manufacturer.
11. Use only with the cart, stand, tripod, bracket, or table specified by the manufacturer, or sold with the apparatus. When a cart is used, use caution when moving the cart/apparatus combination to avoid injury from tip-over.
12. Unplug this apparatus during lightning storms or when unused for long periods of time.
13. Refer all servicing to qualified service personnel. Servicing is required if the apparatus has been damaged in any, such as power-supply cord or plug is damaged, liquid has been spilled or objects have fallen into the apparatus, the apparatus has been exposed to rain or moisture, does not operate normally, or has been dropped.
14. To reduce the risk of fire or electric shock, do not expose this appliance to rain or moisture.
15. Do not remove the cover; there are no user-serviceable parts inside.
16. No naked flame sources shall be placed on the apparatus.
17. For outdoors use, to avoid electric shock, use battery only during a raining day or the weather is wet. To prevent electric shock, if the radio has been exposed to rain or water, the power supply cord and plug must be completely dried before plugging into the mains socket outlet.
18. The power plug should be close to the apparatus, and easy to be approached that during emergency, to disconnect the power from the apparatus, just unplug the power plug from the AC power slot.
19. The marking information is located at the bottom of the apparatus.
20. This apparatus is provided with protection against splashing water (IP65).
21. In case of malfunction due to electrostatic discharge or fast transient (burst), remove and reconnect the power supply.
22. To prevent possible hearing damage, do not listen at high volume levels for long periods.



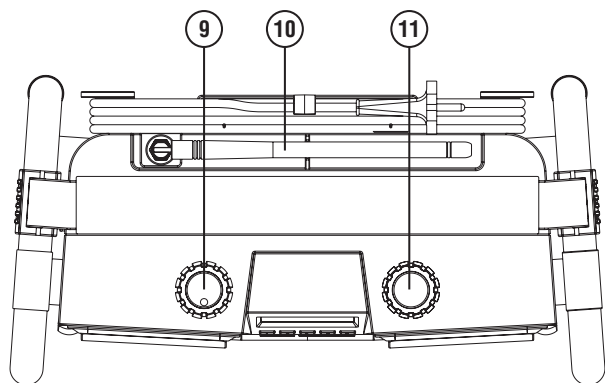
**GB**

## Front View



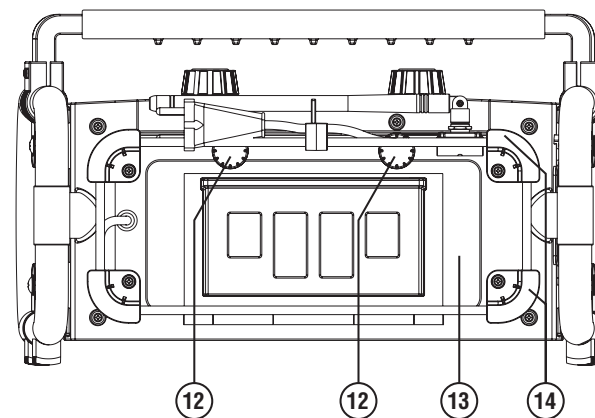
1. LCD display
2. Preset buttons
3. Power On/Off
4. Audio source button
5. Menu button
6. Info button
7. Mono/Stereo button
8. Bluetooth connected LED light

## Top View



9. Volume/Tone control
10. Rubber DAB/FM antenna
11. Tuning control / Seek station

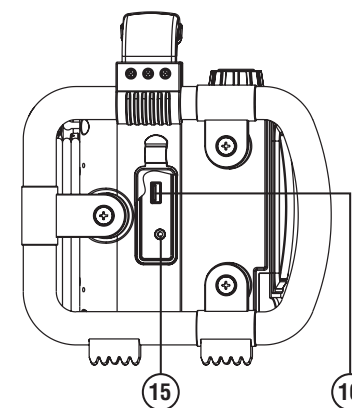
## Back View



12. Battery cover fixtures
13. Battery compartment
14. Power cord storage

GB

## Side View



15. Aux-in socket and Rubber cover
16. USB DC power out socket (5V/0.5A)

## POWER SUPPLY

### Battery operation

1. To open the battery compartment, first turn the battery cover fixtures anti-clockwise to loosen and pull down the battery cover.
2. Insert 6 x D size (UM-1) battery with the correct polarity into the compartment. Close the battery cover and fasten the fixtures by turning clockwise.
3. If the unit is not to be used for any extended period of time, it is recommended to remove the batteries from the radio.

The approximate power level of the batteries is displayed in the LCD display of the radio. When the power level is very low the indication "Battery Low!" appears and the battery symbol flashes on the display. The batteries should then be replaced soon to continue normal operation of the radio.

### Back up battery

Back up battery is to back up the preset stations and the clock. It is necessary to insert back up battery (2 x AA size / UM-3) for memory back up even if you use AC power supply only. Without the back up battery, time and preset station will get lost if you remove the AC power cord from AC socket or during power failure.

Warning: Danger of explosion if battery is incorrectly replaced. Replace only with the same or equivalent type. Do not expose the batteries to excessive heat such as sunshine, fire or the like. Batteries should not be disposed of by incineration and with household waste. Disposable batteries should be taken to a suitable recycling centre if possible.

### AC operation

Before plugging the AC power cord into the AC socket, be sure the voltage is correct. If you have batteries in the radio and using the AC power supply, the batteries will automatically be disconnect. AC power cord storage is designed to store the cord when the radio is not in use.

Note: In order to disconnect the unit from the mains completely, the AC plug should be removed from the mains socket completely.

## GENERAL FUNCTIONS

1. **Switching on and off**  
Press the **On/Off button** to turn the radio on or in standby.
2. **Switching among DAB / FM / Bluetooth / AUX IN modes**  
Press the **Source button** to switch between modes.
3. **Tuning the Radio**  
Tune the radio using the **Tuning knob** on the right.
4. **Adjusting the Volume**  
Adjust the volume with the **Volume knob** on the left.
5. **Adjusting the Tone**  
Press the **Volume knob** on the left and rotate it to adjust the Bass and Treble.
6. **Selecting Stereo or Mono mode (in FM mode only)**  
Press the **Mono/Stereo button** to switch between FM Mono or FM Stereo.
7. **Anti-Theft-Protection (ATP) System**  
Press the preset buttons (1-10) to enter the 4-digits numeric passcode.
8. **Listening music via Bluetooth streaming**  
Play music from your paired Bluetooth device with your radio.

## USING THE RADIO FOR THE FIRST TIME

1. Place the radio on a flat surface.
2. Carefully extend the antenna located on the top of the radio. Adjust the antenna so it is vertically extending above the radio.
3. Plug the AC power cord into the AC socket. The radio will start up and the display will show "WELCOME TO DIGITAL RADIO" for a few seconds. Then the radio will automatically perform an auto scan of the Band III DAB channels and the FM band. The display will show "Scanning" in DAB and "Auto" in FM.
4. When the scan is completed, the 10 strongest FM stations will be stored as presets and the available DAB stations will be in the list of stations. The radio will switch to standby with the updated clock and date showing on the display.
5. If no signals are found, the clock will not be updated. It may be necessary to relocate the radio to a position with better reception.

## DAB MODE (DAB/DAB+)

### Operating the radio – DAB

1. Carefully extend the antenna. Press the **On/Off button** to switch on the radio.
2. Select the DAB waveband by pressing the **Source button**.
3. The first station in the list of stations found will be played. The display will show the station name. If the radio has been used before, the last used station will be selected.
4. If no DAB signals are detected, "No stations available" will be displayed. It may be necessary to relocate the radio to a position with better reception. You should then carry out an auto scan to find stations, please refer to the section "**Find new stations - DAB**".

### Selecting a station – DAB

1. Press the **On/Off button** to switch on the radio.
2. Select the DAB waveband by pressing the **Source button**.
3. The display will show "Now tuning" for a few seconds.
4. The display shows the name of the radio station currently selected.
5. Rotate the **Tuning knob** to scroll through the list of available stations.
6. When the desired station name appears on the display, press the **Tuning knob** to select the station.

Note: If after selecting a station the display shows "No stations available", it may be necessary to relocate the radio to a position with better reception.

### Secondary services – DAB

1. Certain radio stations have one or more secondary services associated with them. If a station has a secondary service associated with it, then the secondary service will appear immediately after the primary service as you turn the **Tuning knob**.
2. Press the **Tuning knob** to select the secondary service.  
Most of secondary services do not broadcast continually and if the selected service is not available, the radio will re-tune to the associated primary service.

## Display modes – DAB

In DAB mode, the radio can display a range of information on the display. Press the **Info button** to cycle through the various modes.

- |                            |   |
|----------------------------|---|
| a. Scrolling text          | Displays scrolling text message e.g. station information, artist/track name, phone-in number, etc.  |
| b. Signal strength         | Displays the signal strength of radio reception. The clear unfilled rectangle indicates minimum signal level required for satisfactory reception. |
| c. Program type            | Displays the type of station being listened to e.g. Pop, Classic, News, etc.  |
| d. Multiplex name          | Displays the name of multiplex to which the current station belongs.  |
| e. Channel & frequency     | Displays the channel number and frequency for the currently tuned DAB station.  |
| f. Bit rate & audio format | Displays the digital audio bit rate and audio format.   |
| g. Time & date             | Displays the current time and date.   |

## Finding new stations – DAB

From time to time, new stations may become available. You may proceed to find new stations as follows:

1. In DAB mode, press the **Menu button**, “Full scan” shows on the display.
2. Press the **Tuning knob**, the radio will perform a scan of the Band III DAB channels. As new stations are found, the station counter on the right-hand side of the display will increase and new radio stations found will be added to the list stored in the radio.

## Manual Tuning – DAB

Manual tuning is an alternative method of finding new stations. Instead of scanning the entire Band III channels automatically, you may tune the radio directly to a known DAB channel and store all the multiplex in that channel into the available station list.

1. In DAB mode, press the **Menu button** and rotate the **Tuning knob** until the LCD display shows “Manual Tune”, then press the **Tuning knob**. The display will show DAB channel and Frequency.
2. Rotate the **Tuning knob** to select the desired channel or Frequency and press the **Tuning knob** to tune to the chosen frequency.
3. When DAB stations in the tuned channel are found, the display will show the name of the station. Any new radio stations found will be added to the list stored in the radio.
4. The signal strength display shows the reception of the station. The clear unfilled rectangle indicates minimum signal level required for satisfactory reception. The signal strength bars will go up or down showing the changing signal strength as you adjust the antenna or the position of the radio.
5. Repeat step 1 to 4 for other channels with new stations.
6. Press the **Menu button** twice to exit manual tuning and return to normal DAB operation.

## Dynamic Range Control (DRC) settings – DAB

DRC can make quieter sounds easier to hear when your radio is used in a noisy environment.

1. In DAB mode, press the **Menu button** and rotate the **Tuning knob** until “DRC value” appears on the display, press the **Tuning knob**.
2. Rotate the Tuning knob to select required DRC setting (default is OFF).  
DRC off DRC is switched off, broadcast DRC will be ignored.  
DRC high DRC is set as sent by broadcaster.  
DRC low DRC level is set to 1/2 that sent by broadcaster.
3. Press the **Tuning the knob** to confirm the setting. The display will return to normal radio display.

Note: Not all DAB broadcasts are able to use the DRC function. If the broadcast does not support DRC, then the DRC setting in the radio will have no effect.

## Prune stations – DAB

If you move to a different part of the country, some of the stations which were listed may no longer be available. Also, from time to time, some DAB services may stop broadcasting, or may change location or frequency. The Prune stations function will delete the unavailable DAB stations from your station list.

1. In DAB mode, press the **Menu button**, the display shows “Full scan”.
2. Rotate the **Tuning knob** until the display shows “Prune”.
3. Press the **Tuning knob** to enter the setting.
4. Rotate the **Tuning knob** to select between “Yes” or “No” (default is No). Select “Yes” to enable this function if required, otherwise, select “No”.
5. Press the **Tuning knob** to confirm your setting. The display will return to normal radio display.

**Note:** If you have move the radio to a different part of the country, you should also carry out a search for new stations (please see the section “Finding new stations – DAB”).

## FM MODE

### Operating the radio – FM seek station

1. Press the **On/Off button** to turn on the radio.
2. Select the FM waveband by pressing the **Source button**.
3. If this is the first time to switch to FM mode, the station in preset 1 will be played. If the radio has been used before, the last listened station will be played.
4. To seek station, press the **Tuning knob**. The scan stops automatically when it finds a station of sufficient strength.
5. After a few seconds, the display will update and show station name if RDS information is being received.
6. To find the next station, press the **Tuning knob** again.
7. To seek stations in an opposite direction, rotate the **Tuning knob** clockwise (to scan from low frequency to high frequency) or rotate counter clockwise (to scan from high frequency to low frequency), and press the **Tuning knob**.

- When the waveband end is reached, the radio will recommence tuning from the opposite waveband end.

### Manual tuning – FM

- Press the **On/Off button** to turn on the radio.
- Select the FM band by pressing the **Source button**.
- Rotate the **Tuning knob** to reach the preferred FM station. The radio will change the frequency in steps of 50 kHz.
- Rotate the rubber antenna to get the best reception. If the radio is tuned to a station of sufficient signal strength with RDS information present, the display may change to show the station name.
- When the waveband end is reached, the radio will recommence tuning from the opposite waveband end.

### RDS station service – FM

RDS (Radio Data System) is an information system which inaudible digital information is transmitted in addition to the normal FM radio program. When the radio is receiving a RDS station and the reception strength is sufficient, the station name will appear in the display. It may take some time before the RDS information is available.

### Calling up RDS information

When you are listening to a FM station with RDS system, repeatedly press the **Info button** to cycle through the information. This will only function if the reception level is sufficient and clear.

- |                       |   |
|-----------------------|---|
| a. Radio text (RT)    | Displays the message about the station being listened to as ticker text.      |
| b. Program type (PTY) | Displays the type of station being listened to, e.g. Pop, Classic, News, etc. |
| c. Frequency          | Displays the frequency of the station being listened to.                      |
| d. Stereo or Mono     | Displays Stereo or Mono.  |
| e. Signal level       | Displays the signal strength.   |
| f. Time & date        | Displays the current time (24 hour clock) and date.                           |

### Scan sensitivity setting – FM

The radio will normally scan all stations from FM broadcasts including the weaker signals. However, you may wish the Auto-scan to find only those stations with strong enough signals to give good reception.

- Press the **On/Off button** to turn on the radio.
- Select the FM band by pressing the **Source button**.
- Press the **Menu button**, the display shows "Scan setting".
- Press the **Tuning knob**.
- Rotate the **Tuning knob** to select between "All stations" or "Strong station" (default is "All stations"). The "Strong station" option will allow the radio to find strong signals only when scanning.
- Press the **Tuning knob** to confirm your setting. The display will return to normal radio display.

## PRESET STATIONS

### Storing preset stations

There are 20 memory presets in the radio, 10 for DAB and 10 for FM. Presets are remembered by the radio in the event of a power failure.

- Press the **On/Off button** to turn on the radio.
- Press the **Source button** to select the desired waveband.
- Tune to the required station.
- Press and hold the required **Preset button** until the radio beeps and shows "Saved".
- Repeat step 3 and 4 for the remaining presets.
- Stations stored in the preset memories can be over-written by following the above procedure.

### Recalling preset stations

- Press the **On/Off button** to turn on the radio.
- Press the **Source button** to select the desired waveband. Briefly Press the required **Preset button**.
- In FM mode the display will show for example "P1" on top right hand side.

GB

## MANUALLY SETTING CLOCK

The clock can only be manually set when the radio is in standby mode. If no buttons are pressed for 5 seconds, the radio will exit the clock setup and the setting is cancelled.

- Press and hold the Time Set knob for 12 seconds until the hour digits flash on the display.
- Rotate the **Time Set knob** to set the hour.
- Press the **Time Set knob** to confirm, the minute digits flash.
- Rotate the **Time Set knob** to set the minute.
- Press the **Time Set knob** to confirm, the day flashes on the display.
- Rotate the **Time Set knob** to set the current day.
- Press the **Time Set knob** to confirm, the month flashes.
- Rotate the **Time Set knob** to set the current month.
- Press the **Time Set knob** to confirm, the year will then flash on the display.
- Rotate the **Time Set knob** to set the current year.
- Press the **Time Set knob** to confirm, "SYNCLOCK ON" flashes.
- Rotate the **Time Set knob** to select "SYNCLOCK ON" or "SYNCLOCK OFF".
- Press the **Time Set knob** to confirm and finish the clock setting.



## RDS time synchronisation

If "SYNCLOCK ON" is selected, the symbol "⌚" will show on the clock display. Some RDS stations transmit a time signal. If reception is good and you have selected the "SYNCLOCK ON" option during the time setting, the time will be automatically updated ("⌚" flashes on the display). Time synchronization can take several minutes. The automatic time setting is always activated when the radio is switched from standby to FM broadcasting and receives a RDS station.

## BLUETOOTH MODE

### Pairing Bluetooth with your mobile phone

1. Press the **On/Off button** to turn on the radio.
2. Select Bluetooth mode by pressing the **Source button**.
3. The LCD display will show "Not connected" when radio is not yet paired with your mobile phone.
4. In your mobile phone open the Setting menu and select Bluetooth, then select "**PP WorkStation 2**" in the Bluetooth devices list of your mobile phone (Bluetooth pairing instructions may vary per type of mobile phone, please check your mobile phone manual).
5. When Bluetooth pairing is successful, the LCD display will show "BT Connected" in the 1st line, and your mobile's name in the 2nd line for about 2 seconds.
6. Finally the LCD display will show the connected mobile phone's name in the 1st line to indicate the connected device to the radio.

### Playing music from your mobile phone

1. Press the **On/Off button** to turn on the radio.
2. Select Bluetooth mode by pressing the **Source button**.
3. Start playing music by using the media players in the paired mobile phone.
4. Playback can be controlled from the mobile phone or by pressing the **▶||, ▶▶I** and **I◀◀** buttons (preset buttons 3, 4 and 5) on the radio.
5. After music playback starts, the name of the song will be displayed in the LCD.

### Display modes – Bluetooth

In Bluetooth mode, the radio can display a range of information of the current playing music on the display. Press the **Info button** to cycle through the various types.

- |                |   |
|----------------|---|
| a. Title       | Displays scrolling song's name of the current playback music.   |
| b. Artist      | Displays the artist's name of the current playback music.   |
| c. Album       | Displays the album name of current playback music.  |
| d. Status      | Displays the playback status. E.g. playing, stopped.  |
| e. Music info  | Displays the music format and sampling rate of current playing song. E.g. "AAC" is the format of the song; "44100Hz" is the sampling frequency of the song. |
| f. Time & date | Displays the current time and date.   |

### Device List – Connect to the paired device

In the radio, you can select the Bluetooth device from the Device list to connect again. The device names would be shown if the name of the Bluetooth devices were configured in the mobile devices. Please refer to the user manual of your mobile device for the configurations.

The Device list can be checked as below:

1. In Bluetooth mode, press the **Menu button** to enter the system setting.
2. Rotate the **Tuning knob** until "Device list" is displayed; press the TUNING knob to select the setting.
3. Rotate the **Tuning knob** to view the name of the devices.
4. Press the **Tuning knob** to start Bluetooth reconnection. The speaker will automatically connect to this selected mobile device.

Note: There can be up to 8 device names stored in the Device list memory. If you store more than 8 mobile devices into the Device list memory, the earliest paired device name will be erased.

Note: If you have ever deleted the "**PP WorkStation 2**" from your connected mobile phone device, the auto reconnection will be unsuccessful.

### Restart Bluetooth pairing

The Bluetooth function can be set to operate in different ways as below:

1. In Bluetooth mode, press the **Menu button** to enter the system setting.
2. Rotate the **Tuning knob** to select the "Disconnect BT" option, and press the **Tuning knob** to select the setting.
3. The LCD display will show "Please wait" for a few seconds in order to disconnect the current connection with the mobile phone device.
4. The LCD display will show "Not connected" and the radio's Bluetooth is free for any mobile phone device connection as it is in discoverable mode now.

Note: "Disconnect BT" is the option that forces the Bluetooth of this radio to disconnect from your mobile phone and enter the "discoverable mode". This is the way to allow the Bluetooth pairing to another device. If no new device is paired, the Bluetooth will automatically try to connect to the last device when it is switched off and on again.

The Auto-Power management function will be activated in Bluetooth mode. If there is no signal\* for a period of over 15 minutes, the radio will automatically switch to standby mode. Pressing the **On/Off button** will wake up the unit.

\* Also when the incoming signal from the external device is too low and cannot be detected for a period of over 15 minutes by the Auto-Power management, the radio will switch to standby mode.  
To prevent this raise the output level on the external device enough to be detected.

## Bluetooth LED configuration

1. Press the **On/Off button** to turn on the radio.
2. Press the **Menu button**, and then rotate the **Tuning knob** until the display shows "System".
3. Press the **Tuning knob**; rotate the **Tuning knob** until the display shows "Bluetooth LED".
4. Press the **Tuning knob** to enter the Bluetooth LED adjustment menu.
5. Rotate the **Tuning knob** to select "on" (by default) in order to keep Bluetooth LED lightened when connected;
6. Or rotate the **Tuning knob** to select "off" to turn off Bluetooth LED when Bluetooth connection has been established.
7. Press the **Tuning knob** to confirm your choice.

## CHARGING A MOBILE PHONE

The USB socket on the left side can provide DC power of 5V/0.5A for charging a mobile phone. Connect the mobile phone to the USB socket with an appropriate cable (not included with this radio). The USB power is available in all modes, including standby mode.

Refer to the user manual or the manufacturer of the mobile phone to verify if it supports charging from an USB power.

The USB socket is suitable for DC power-out only and cannot be used for e.g. playback of music from a USB stick.

Warning: Never use the USB socket in rainy or moist conditions to prevent moist from entering the radio and so to prevent potential short circuit. Always keep the rubber cover well closed under these conditions.

It is recommended to use AC power while charging a mobile phone via USB socket. On DC power it is also possible to charge a mobile phone from the USB socket, however using DC power to charge a mobile phone will consume energy from the batteries and so drain the batteries easily.

## OPERATING THE RADIO – AUX IN

A 3.5mm stereo Aux In socket is provided on the side behind the rubber cover, for connecting an external audio device such as MP3 player or CD player (not included).

1. Connect a stereo or mono audio source to the **Aux In** socket.
2. Press the **Source button** to select AUX input. Display will show "AUX IN".
3. Play the external player.
4. Adjust the volume of both the radio and the player for comfortable listening.

Notes: Never use the Aux-In socket in rainy or moist conditions to prevent moist from entering the radio. Keep the rubber cover well closed under these conditions.

The Auto-Power management function will be activated in AUX IN mode. If there is no signal\* from the Aux-In socket for a period of over 15 minutes, the radio will automatically switch to standby mode. Pressing the **On/Off button** will wake up the unit.

\* Also when the incoming signal from the external device is too low and cannot be detected for a period of over 15 minutes by the Auto-Power management, the radio will switch to standby mode.

To prevent this raise the output level of the external device enough to be detected.

## LOUDNESS

The **Loudness** function enables to get compensation on lower and higher frequency. The effect will be more audible when the radio is on a lower volume level (Dynamic Loudness).

1. Press the **On/Off button** to turn on the radio.
2. Press the **Menu button**, and then rotate the **Tuning knob** until the display shows "System".
3. Press the **Tuning knob**; rotate the **Tuning knob** until the display shows "Loudness".
4. Rotate the **Tuning knob** to select between "Loudness On" or "Loudness Off". Press the **Tuning knob** to confirm the setting and return to normal display.

## TONE

The **Tone** function enables the user to adjust the lower and higher sound frequencies.

1. Press the **On/Off button** to turn on the radio.
2. Press and hold the **Volume knob** for about 3 seconds, the display shows "BASS 0".
3. Rotate the **Volume knob** to set the desire Bass level.
4. Press the **Volume knob** to confirm, the display shows "TREBLE 0".
5. Rotate the **Volume knob** to set the desire Treble level.
6. Press the **Volume knob** to confirm and return to normal display.

## METAL TELESCOPIC ANTENNA

You can use this as an alternative antenna for your radio in areas or locations where the radio signal (FM/DAB/DAB+) is weak to very weak.

**ATTENTION: The standard antenna on the radio is flexible. The metal antenna is not flexible or bendable and should be used with care. Breaking or bending antennas is not covered by warranty.**

Installing: Carefully screw off the standard flexible antenna. First carefully loosen the antenna with an open-end-wrench key (size 14) – turn counter clockwise. Carefully screw on the metal telescopic antenna and softly tighten it with an open-end-wrench key (size 14) – turn clockwise.

**ATTENTION: do not use too much force when fixing the antennas as this can damage the screw thread of the antennas or make it break off**

## LANGUAGES

The menu of the radio can be configured to various languages.

1. Press the **On/Off button** to turn on the radio.
2. Press the **Menu button**, and then rotate the **Tuning knob** until the display shows “System”.
3. Press the **Tuning knob**; rotate the **Tuning knob** until the display shows “Language”.
4. Press the **Tuning knob** to enter the language adjustment menu.
5. Rotate the **Tuning knob** until the desired language appears on the display (default is English).
6. Press the **Tuning knob** to confirm your choice. The display menu will change to the chosen language.

## SOFTWARE VERSION

The software display cannot be altered and is just for your reference. You can only view the software version in DAB and FM mode.

1. Press the **On/Off button** to switch on the radio.
2. Press the **Source button** to select FM or DAB mode.
3. Press the **Menu button** until the display shows “Full Scan”, and then rotate the **Tuning knob** until the display shows “System”.
4. Press the **Tuning knob**; rotate the **Tuning knob** until the display shows “SW version”.
5. Press the **Tuning knob** to view the software version.
6. Press the **Tuning knob** to back to last menu and press menu to return to the normal radio display.

Note: USB socket inside battery compartment is for upgrading the software of the device if needed.

## SYSTEM RESET

If the radio fails to operate correctly, or some digits on the display are missing or incomplete, carry out the following procedure.

1. Press the **On/Off button** to switch on the radio.
2. Press the **Menu button**,
3. Rotate the **Tuning knob** until the display shows “System”. Press the **Tuning knob**.
4. Rotate the **Tuning knob** until the display shows “Factory reset”. Press the **Tuning knob**.
5. Rotate the **Tuning knob** to select between “Yes” or “No”. Select “Yes” if you wish to reset the radio, otherwise, select “No”.
6. Press the **Tuning knob** to cause the factory reset.
7. A full reset will be performed. All presets and the station list will be erased. All settings will be set to the default values. The display will show “WELCOME TO DIGITAL RADIO” for a few seconds, and then the radio will automatically perform an auto scan of the Band III DAB channels and the FM band, the display will show “Scanning” at DAB and “Auto” at FM.

In case of malfunction due to electrostatic discharge; reset the product as above to resume normal operation. If you are not able to perform the reset operation as above, remove and reconnect all batteries and the power supply.

## BACKLIGHT

### LCD backlight configuration

1. Press the **On/Off button** to turn on the radio.
2. Press the **Menu button**, and then rotate the **Tuning knob** until the display shows “System”.
3. Press the **Tuning knob**; rotate the **Tuning knob** until the display shows “LCD backlight”.
4. Press the **Tuning knob** to enter the LCD backlight adjustment menu.
5. Rotate the **Tuning knob** to select “on” in order to keep backlight always lightened when the radio is turned on with AC power supply;
6. Or rotate the **Tuning knob** to select “off” (by default) so that the backlight will be lightened for about 10 seconds whenever a button is pressed with AC power supply.
7. Press the **Tuning knob** to confirm your choice.

Note: The LCD backlight option “on” is only functional when the radio is powered by AC power supply. When the radio is powered by battery power supply, the LCD backlight is switched to option “off” – 10 seconds lightened when a button is pressed. When the radio is connected to mains AC power again, the last user setting will be applied again.

## ATP PASSCODE

This radio is equipped with an Anti-Theft-Protection system (ATP system). When the ATP system is enabled, a passcode is required for turning on the radio.

1. Press the **On/Off button** to turn on the radio.
2. Press the **Menu button**.
3. The display shows "System".
4. Rotate the **Tuning knob** until the display shows "Passcode". Press the Tuning knob. "Enable" or "Disable" will be displayed, to enable ATP, turn and press **Tuning knob** to select "Enable".
5. "Change Passcode" will be displayed, enter a 4-digits numeric passcode by pressing the preset buttons (1-10)
6. "Confirm Passcode" will be displayed. Enter a second time the same passcode to re-confirm.
7. To disable passcode, select "Disable" as previously showed. And re-enter the previous passcode to disable the lock.

When ATP is enabled, and if wrong passcode is entered for three times, a timer will be activated. The next attempt will be possible only after the timer has elapsed. The timer period will be increased with further wrong passcodes.

**WARNING: If you choose to activate the passcode, please note your passcode somewhere safe as a memory back-up in case you should forget it. This as there is no way to reset the radio should the passcode be forgotten!**

## RADIO NAME OPTION

This radio supports customization of the radio's name. If the radio has been named, the name of the radio will be shown when the radio is turned on and when the radio is turned off.

1. Press the **On/Off button** to turn on the radio.
2. Press the **Menu button**, and then rotate the **Tuning knob** until the display shows "System".
3. Press the **Tuning knob**; rotate the **Tuning knob** until the display shows "Name". Press the Tuning knob.
4. Rotate the **Tuning knob** to select the letters. The maximum length of new name is 16 letters long.
5. Press the **Tuning knob** to confirm the current selection. By pressing this **Tuning knob**, the cursor will be moved to next position for selection.
6. Press the **P3 / I◀◀** or **P4 / ▶▶I** button to move the cursor to left or right.
7. Repeat step 4 to step 6 to edit the new radio name.
8. To complete editing the new radio name, you can either edit all the 16 letters or press the **Menu button**.
9. When finishing editing the radio name, the LCD will display "Confirm changes" in the first line, and display "OK" to save the changes or "Cancel" to discard the changes.
10. To confirm the changes, rotate the **Tuning knob** until "OK", and then press the **Tuning knob** to exit. After this action, the radio will save the new name.
11. To cancel the changes, rotate the **Tuning knob** until "Cancel", and then press the **Tuning knob** to exit. After this action, the radio will discard the changes and keep the current radio name as for display.
12. When next time the radio is turned on, the LCD will show "Welcome" in the first line and the new name in the second line.
13. When the radio is turned off, the LCD will show "Goodbye" in the first line and the new name in the second line.

### Notes:

- In the name menu, when there is no operation of the panel buttons for more than 20 seconds during editing, the radio will automatically exit the name function without saving any of the changes.

- The default radio name is empty. The new edited name will be lost and go back to default (no name) after executing a factory reset in the menu.

- The radio supports maximum 16 letters as the name of the radio.

## WARRANTY

This radio has a 2 year limited warranty.

**WARNING ! Warranty becomes void once the radio cabinet has been opened or any modifications to the radio have been made !**

The terms of the warranty of this radio do not cover the following:

- Damage caused by misuse, abuse, neglect, alterations or unauthorised repair.
- Normal wear and tear.
- Breaking or bending of the metal telescopic antenna.
- Batteries.

## TECHNICAL SPECIFICATIONS

### Technical data



This device is noise-suppressed according to the applicable EU directives.

This product fulfills the European directives 2006/95/EC, 2005/32/EC and 2004/108/EC.

This device conforms to the safety regulation DIN EN 60065 (VDE 0860) and therefore the international safety regulation IEC 60065. Never open the device casing. The manufacturer will not accept any liability for damage resulting from improper handling. The type plate is located on the bottom of the device.

### Environmental note



This product has been made from high-quality parts and materials, which can be reused and recycled.

Therefore, do not throw the product away with normal household waste at the end of its life. Take it to a collection point for recycling electrical and electronic device. This is indicated by this symbol on the product, in the operating manual and on the packaging. Please find out about collection points operated by your local authority. Help protect the environmental by recycling used products.



### Power supply

Mains operation:

AC 230 V ~, 50/60Hz

Battery operation:

6 x 1,5V (Type IEC LR20 / UM-1 / D-size) or

Battery for Back up:

2 x 1,5V (Type LR6 / UM-3 / AA-size)

### Power consumption (mains supply)

Operation: < 33 W

Standby: < 1 W

### Frequency coverage

FM 87.5 – 108,0 MHz

DAB 174,928 – 239,200 MHz

### Bluetooth

Version 3.0 Supports Bluetooth profiles A2DP, AVRCP and HFP

### Speaker

Size 2 x Ø100mm

Impedance 8 ohms

### USB charging

Maximum 5V, 0.5A

### Output Power

Nominal 2 x 10W

### Aux in socket

Ø3,5mm

## CONTENU

CONSIGNES DE SECURITE IMPORTANTES .....	P.2
COMMANDES .....	P.3
ALIMENTATION ELECTRIQUE .....	P.5
FONCTIONS .....	P.6
PREMIERE UTILISATION DE LA RADIO .....	P.7
MODE DAB .....	P.8
MODE FM .....	P.10
PRESELECTION DE STATIONS .....	P.12
REGLAGE MANUEL DE L'HEURE ET DE LA DATE .....	P.13
MODE BLUETOOTH .....	P.14
RECHARGE D'UN TELEPHONE PORTABLE .....	P.16
FAIRE FONCTIONNER LA RADIO – ENTREE AUXILIAIRE .....	P.17
SONORITE .....	P.17
REGLAGE DE LA TONALITE .....	P.18
ANTENNE TELESCOPIQUE EN METAL .....	P.18
SELECTION DE LA LANGUE .....	P.19
VERSION DU LOGICIEL .....	P.19
REINITIALISATION DU SYSTEME .....	P.20
ECLAIRAGE DE L'ECRAN .....	P.20
PROTECTION PAR CODE PIN (SYSTEME ATP) .....	P.21
OPTION MESSAGE D'ACCUEIL .....	P.22
GARANTIE .....	P.23
INFORMATIONS .....	P.23

**AVERTISSEMENT : LA GARANTIE PREND FIN LORSQUE LE BOITIER DE LA RADIO A ETE OUVERT OU LORSQUE LA RADIO A ETE MODIFIEE DE QUELQUE MANIERE QUE CE SOIT PAR L'UTILISATEUR FINAL.**



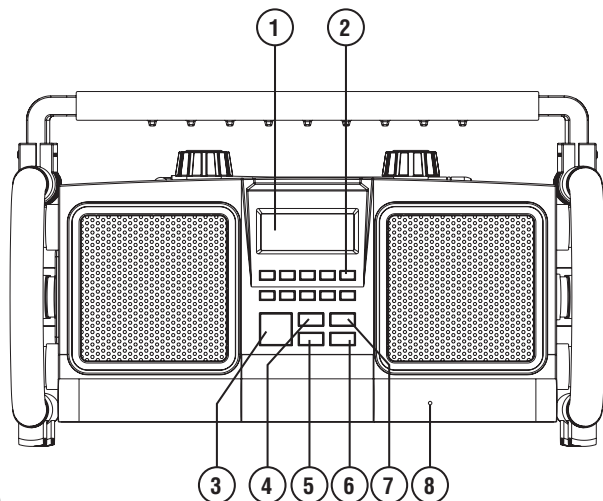
Risque d'électrocution  
Ne pas ouvrir

## CONSIGNES DE SECURITE IMPORTANTES

1. Lisez ces consignes.
2. Conservez ces consignes.
3. Respectez ces avertissements.
4. Suivez ces consignes.
5. Nettoyez seulement avec un chiffon sec.
6. Ne bloquez aucune ouverture de ventilation. Installez selon les consignes.
7. N'installez pas à proximité de sources de chaleur telles que les radiateurs, grilles de chauffage, fourneaux ou autres appareils (y compris les amplificateurs) qui produisent de la chaleur.
8. Ne supprimez pas la fonction de sécurité de la fiche polarisée ou à terre – type de prise. Une fiche polarisée possède deux broches dont une est plus large que l'autre. Une prise à terre possède deux broches et une troisième broche à terre. La broche large ou la troisième broche reliée à la terre sont fournies pour des raisons de sécurité. Si la fiche fournie ne rentre pas dans votre prise, consultez un électricien pour qu'il vous change l'ancienne prise.
9. Protégez le cordon d'alimentation afin qu'il ne soit pas piétiné ou serré, particulièrement au niveau de la fiche, de la prise électrique et à l'endroit où il sort de l'appareil.
10. Utilisez seulement des cordons/accessoires précisés par le fabricant.
11. Utilisez seulement avec le chariot, le support, le trépied, la console ou la table précisés par le fabricant ou vendus avec l'appareil. En utilisant un chariot, faites attention en déplaçant la combinaison chariot/appareil pour éviter de vous blesser en cas de chute.
12. Débranchez cet appareil pendant les orages ou lorsque vous ne l'utilisez pas pendant de longues périodes.
13. Confiez toutes les réparations à du personnel de réparation qualifié. La réparation est requise si cet appareil a été endommagé de quelque manière que ce soit, par exemple si le cordon d'alimentation ou la fiche ont été endommagés, si du liquide a été renversé ou si des objets sont tombés sur l'appareil, si l'appareil a été exposé à la pluie ou à de l'humidité, s'il ne fonctionne pas correctement ou s'il est tombé.
14. Pour réduire les risques de feu ou de choc électrique, n'exposez pas cet appareil à la pluie ou à de l'humidité.
15. N'enlevez pas le dessus de l'appareil, il n'y a pas de pièces de réparation à l'intérieur.
16. Ne placer aucune source de flamme nue sur l'appareil.
17. Lors d'une utilisation en extérieur, pour éviter les chocs électriques, utilisez seulement des piles en cas de pluie ou de temps humide. Afin d'éviter tout risque d'électrocution lorsque la radio a été exposée à la pluie ou à l'eau, le cordon d'alimentation et la fiche doivent être séchés complètement avant d'insérer la fiche dans la prise de courant.
18. La prise de courant doit être à proximité de l'appareil et facile d'accès pour qu'en cas d'urgence, pour couper le courant de l'appareil, vous puissiez simplement débrancher la prise de courant.
19. La plaque signalétique se trouve sur la face inférieure de l'appareil.
20. Cet appareil est protégé contre les projections et éclaboussures d'eau (IP65).
21. En cas de perturbations provoquées par une décharge électrostatique ou une pointe de tension, la fiche du cordon d'alimentation de la radio doit être retirée un bref instant de la prise de courant et réinsérée ensuite dans celle-ci.
22. Pour éviter d'endommager l'audition, ne pas écouter à volume élevé pendant de longues périodes.

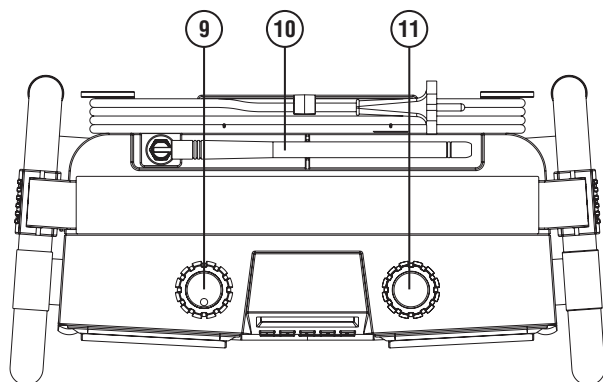


## Vue de face



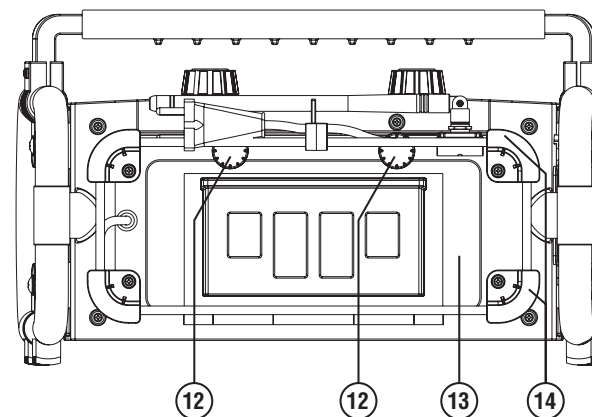
1. Écran LCD
2. Touches de présélection (1-10)
3. Touche On/Off
4. Touche Source
5. Touche Menu
6. Touche Info
7. Touche Mono/Stereo
8. LED Bluetooth connecté

## Vue du dessus



9. Bouton de Volume
10. Antenne souple
11. Bouton de Fréquence

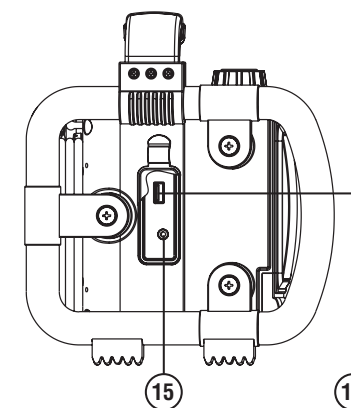
## Vue arrière



12. Supports de fixation de couvercle des piles
13. Compartiment des piles
14. Rangement pour le cordon d'alimentation

F

## Vue latérale



15. Prise d'entrée auxiliaire et couvercle en caoutchouc
16. Sortie de courant USB (5V/0.5A)

## ALIMENTATION ELECTRIQUE

### Fonctionnement à piles

1. Pour ouvrir le compartiment des piles, tournez d'abord les supports de fixation du couvercle des piles dans le sens inverse des aiguilles d'une montre pour desserrer et tirer vers le bas le couvercle des piles.
2. Insérez 6 piles de taille D (UM-1) avec la bonne polarité dans le compartiment. Fermez le couvercle des piles et resserrez les supports de fixation en les tournant dans le sens des aiguilles d'une montre.
3. Si l'appareil n'est pas utilisé pendant une longue période, il est recommandé d'enlever les piles de la radio.

Le niveau de puissance maximal des piles est affiché sur l'écran LCD de la radio. Lorsque le niveau de puissance est très faible, l'indication "Piles faibles !" apparaît et le symbole des piles clignote sur l'écran. Les piles doivent alors être remplacées rapidement pour que la radio continue à fonctionner normalement.

### Piles de rechange

Les piles de rechange sont utilisées pour sauvegarder les stations préregistrées et l'horloge.

Il faut insérer des piles de rechange (2 piles de taille AA / UM-3) pour sauvegarder la mémoire même si vous utilisez seulement l'alimentation électrique du courant alternatif. Sans les piles de rechange, l'heure et les stations préregistrées seront perdues si vous enlevez le cordon d'alimentation du courant alternatif de la prise secteur ou au cours d'une panne de courant.

#### Avertissement :

Danger d'explosion si les piles ne sont pas remplacées correctement. Remplacez seulement par les mêmes piles ou des piles équivalentes.

N'exposez pas les piles à une source de chaleur excessive comme les rayons du soleil, le feu ou autre. Les piles ne doivent pas être jetées par incinération ou avec les déchets ménagers. Les piles jetables doivent, si possible, être emmenées dans un centre de recyclage approprié.

### Fonctionnement en courant alternatif

Avant de brancher le cordon d'alimentation du courant alternatif dans la prise secteur, assurez-vous que le voltage soit le bon. Si vous avez des piles dans la radio et que vous utilisez une alimentation secteur, Les piles seront automatiquement débranchées. Le rangement du cordon d'alimentation du courant alternatif est conçu pour y placer le cordon d'alimentation lorsque la radio n'est pas utilisée.

Remarque : Afin de débrancher complètement l'appareil du secteur, la fiche secteur doit complètement être retirée de la prise secteur.

## FONCTIONS

1. **Allumage et extinction de la radio**  
Appuyez sur la **touche ON/OFF** pour allumer la radio ou remettre celle-ci en mode Standby (Veille).
2. **Basculer entre les modes DAB / FM / Bluetooth / AUX-IN**  
Appuyez sur la **touche Source** pour naviguer entre les différents modes.
3. **Réglage de la radio sur la station souhaitée**  
Tournez le **bouton de Fréquence** (bouton de droite).
4. **Réglage du volume**  
Tournez le **bouton de Volume** (bouton de gauche).
5. **Réglage de la tonalité**  
Appuyez sur le **bouton de Volume** (bouton de gauche) et tournez ensuite celui-ci pour régler les basses et les aigus.
6. **Sélection du mode Mono ou Stéréo (uniquement en mode FM)**  
Appuyez sur la **touche Mono/Stereo** pour sélectionner le mode FM Mono ou FM Stéréo.
7. **Système de protection contre le vol par code PIN**  
Utilisez les **touches de présélection** (1-10) pour entrer un code PIN constitué de 4 chiffres.
8. **Écouter de la musique par streaming Bluetooth**  
Écoutez la musique de votre appareil couplé avec votre radio en Bluetooth.



## PREMIERE UTILISATION DE LA RADIO

1. Posez la radio sur une surface stable et plane.
2. Relevez l'antenne souple située au-dessus de la radio. Orientez l'antenne verticalement par rapport à la radio.
3. Insérez la fiche du cordon d'alimentation dans une prise de courant. La radio s'allumera automatiquement et le message "WELCOME TO DIGITAL RADIO" (BIENVENUE SUR LA RADIO NUMERIQUE) apparaîtra à l'écran pendant quelques secondes. La radio effectuera ensuite automatiquement un balayage de la bande de fréquences DAB et FM. "Scanning" sera affiché à l'écran pour la bande de fréquences DAB et "Auto" sera affiché à l'écran pour la bande de fréquences FM.
4. Les 10 stations FM offrant le meilleur signal de réception seront alors mises dans la mémoire de stations présélectionnées et les 10 stations DAB disponibles seront placées dans la liste de stations DAB. Après ce premier balayage, la radio s'éteindra automatiquement et l'heure et la date actualisées seront ensuite affichées à l'écran.

En l'absence de réception d'un signal radio, l'heure et la date ne seront pas actualisées. Il peut alors être nécessaire de placer la radio dans un autre endroit offrant une meilleure réception radio.

## MODE DAB

### Utilisation de la radio en mode DAB

1. Relevez l'antenne souple située au-dessus de la radio. Orientez l'antenne verticalement par rapport à la radio. Appuyez sur la **touche ON/OFF** pour allumer la radio.
2. Appuyez sur la **touche Source** (touche de sélection de la source audio) pour sélectionner le mode DAB.
3. La première station (dans l'ordre alphanumérique 0...9, A...Z) de la liste de stations sera alors audible et le nom de la station sera affiché à l'écran. Si la radio a déjà été utilisée, la dernière station sélectionnée sera dans ce cas audible.
4. Lorsqu'aucun signal radio n'a été trouvé, le message "No stations available" (Aucune station disponible) sera affiché à l'écran. Il peut être nécessaire dans ce cas de placer la radio dans un autre endroit offrant une meilleure réception. Vous pouvez ensuite effectuer un Auto Scan pour rechercher des stations DAB. Voir le point "Recherche de nouvelles stations en mode DAB".

### Sélection d'une station en mode DAB

1. Appuyez sur la **touche ON/OFF** pour allumer la radio.
2. Appuyez sur la **touche Source** (touche de sélection de la source audio) pour sélectionner le mode DAB.
3. Le message "Now tuning" (Syntonisation en cours) apparaîtra pendant quelques secondes à l'écran.
4. Le nom de la station DAB trouvée sera ensuite affiché à l'écran.
5. Tournez le **bouton de Fréquence** pour parcourir la liste des stations DAB disponibles.
6. Lorsque le nom de la station DAB souhaitée apparaît à l'écran, appuyez sur le **bouton de Fréquence** pour sélectionner la station DAB en question.

Lorsque le message "No stations available" (Aucune station disponible) apparaît à l'écran après avoir sélectionné une station DAB, il peut être nécessaire dans ce cas de placer la radio dans un autre endroit offrant une meilleure réception.

## Affichage en mode – DAB

En mode DAB, la radio est capable d'afficher diverses informations.

- |                                |   |
|--------------------------------|---|
| a. Texte défilant              | Affiche des messages de la station DAB que vous écoutez, sous la forme d'un texte défilant.   |
| b. Force du signal             | Affiche la force du signal de réception de la station DAB que vous écoutez. Le bloc ouvert indique le niveau minimum du signal nécessaire pour obtenir une bonne réception. |
| c. Type de programme           | Affiche le type de programme que vous écoutez, par exemple Pop, Classique, Actualités, etc.   |
| d. Nom du multiplex            | Affiche le nom du multiplex auquel la station DAB appartient.   |
| e. Canal et fréquence          | Affiche le numéro et la fréquence de la station DAB que vous écoutez.   |
| f. Débit binaire et type audio | Affiche le débit binaire et le format audio de l'émission.  |
| g. Heure et date               | Affiche l'heure exacte et la date.  |

## Recherche de nouvelles stations en mode DAB

De temps à autre, il se peut que de nouvelles stations DAB soient disponibles. Pour trouver celles-ci :

1. En mode DAB, appuyez sur la **touche Menu**. "Full scan" (Balayage complet) sera ensuite affiché à l'écran.
2. Appuyez sur le **bouton de Fréquence**. La radio effectuera alors un balayage complet des fréquences de la DAB Bande III. Lorsque la radio trouve de nouvelles stations DAB, celles-ci seront ajoutées à la liste des stations DAB disponibles.

## Recherche manuelle de stations en mode DAB

Une recherche manuelle vous offre la possibilité de sélectionner directement des stations dans la DAB Bande III.

1. En mode DAB, appuyez sur la **touche Menu**. "Full scan" (Balayage complet) sera ensuite affiché à l'écran.
2. Tournez le **bouton de Fréquence** jusqu'à ce que "Manual tuning" (Syntonisation manuelle) soit affiché à l'écran. Appuyez ensuite sur le **bouton de Fréquence**.
3. Tournez le **bouton de Fréquence** pour rechercher la fréquence DAB souhaitée. Appuyez sur le **bouton de Fréquence** pour sélectionner la fréquence DAB en question.
4. L'affichage de la force du signal indique le niveau du signal capté par la radio. Le bloc ouvert indique le niveau minimum du signal nécessaire pour obtenir une bonne réception. L'affichage de la force du signal change lorsque vous changez la position de l'antenne et/ou de la radio.
5. Répétez les étapes 1 - 4 pour les autres présélections.
6. Appuyez deux fois sur la **touche Menu** pour revenir au menu DAB standard.

## Réglages Dynamic Range Control (DRC) en mode DAB

La fonction DRC permet de rendre des sons doux plus audibles lorsque la radio est utilisée dans un environnement ou un endroit particulièrement bruyant.

1. En mode DAB, appuyez sur la **touche Menu**. "Full scan" (Balayage complet) sera ensuite affiché à l'écran.
2. Tournez le **bouton de Fréquence** jusqu'à ce que "DRC value" (Valeur DRC) soit affiché à l'écran. Appuyez ensuite sur le **bouton de Fréquence**.
3. Tournez le **bouton de Fréquence** pour sélectionner le réglage DRC souhaité (normalement, la fonction DRC est désactivée).
  - i. DRC Off fonction DRC désactivée.
  - ii. DRC 1/2 niveau DRC réglé à 50% du niveau émis.
  - iii. DRC 1 niveau DRC réglé à 100% du niveau émis.
4. Appuyez sur le **bouton de Fréquence** pour confirmer votre sélection et revenir au menu DAB standard.

Remarque : Toutes les stations DAB n'utilisent pas la fonction DRC. Lorsqu'une station DAB n'émet aucune information DRC, les réglages DRC n'auront aucun effet sur la radio.

## Suppression de stations (Fonction "Prune") – DAB

Lorsque vous vous rendez dans une autre région ou dans un autre pays, il se peut que certaines stations ne soient plus disponibles. Il se peut également que certaines stations arrêtent d'émettre ou changent de fréquence. La fonction "Prune" (Suppression) permet de supprimer de la liste des stations, les stations qui ne sont plus disponibles.

1. Appuyez sur la **touche Menu**. "Full scan" (Balayage complet) est ensuite affiché à l'écran.
2. Tournez le **bouton de Fréquence** jusqu'à ce que "Prune" (Suppression) soit affiché à l'écran. Appuyez ensuite sur le **bouton de Fréquence**.
3. Tournez le **bouton de Fréquence** pour choisir "Yes"(Oui) ou "No"(Non) (Le réglage standard est Non).
4. Appuyez sur le **bouton de Fréquence** pour confirmer votre sélection et revenir au menu DAB standard.

**Remarque :** Lorsque vous vous rendez dans une autre région ou dans un autre pays, il est conseillé d'effectuer une recherche des nouvelles stations disponibles. Voir à cet effet le point "Recherche de nouvelles stations".

## MODE FM

### Utilisation de la radio en mode FM

### Recherche automatique de stations en mode FM

1. Appuyez sur la **touche ON/OFF** pour allumer la radio.
2. Appuyez sur la **touche Source** (touche de sélection de la source audio) pour sélectionner le mode FM.

- Lors de la première utilisation de la radio, la station FM dans la mémoire de présélection 1 sera sélectionnée. Si la radio a déjà été utilisée par le passé, la dernière station FM écoutée sera dans ce cas sélectionnée.
- Appuyez sur le **bouton de Fréquence** pour démarrer la recherche automatique de stations FM ("scanning").
- La radio lancera alors la recherche et s'arrêtera automatiquement lorsqu'elle trouve une station FM offrant une bonne réception.
- Pour rechercher une autre station FM, appuyez de nouveau sur le **bouton de Fréquence**.
- Pour rechercher des stations FM dans le sens opposé, tournez le **bouton de Fréquence** dans le sens des aiguilles d'une montre (pour rechercher des stations FM depuis les basses fréquences vers les hautes fréquences) ou dans le sens inverse des aiguilles d'une montre (pour rechercher des stations FM depuis les hautes fréquences vers les basses fréquences) et appuyez ensuite sur le **bouton de Fréquence**.
- Lorsque la fin de la plage de fréquences FM est atteinte, la radio recommencera la recherche depuis l'autre extrémité de la plage de fréquences FM.

#### Recherche manuelle de stations en mode FM

- Appuyez sur la **touche ON/OFF** pour allumer la radio.
- Appuyez sur la **touche Source** (touche de sélection de la source audio) pour sélectionner le mode FM.
- Tournez le **bouton de Fréquence** pour atteindre la station FM souhaitée. La fréquence changera par incréments de 50 kHz.
- Tournez éventuellement l'antenne pour obtenir une meilleure réception.

#### Système d'informations RDS en mode FM

Le RDS (Radio Data System) est un système d'informations par lequel des informations numériques non audibles sont transmises en plus du programme radio FM normal. Lorsque la radio capte une station RDS et que la réception est suffisamment bonne, le nom de la station FM apparaîtra à l'écran LCD. Un certain temps peut s'écouler avant que les informations RDS soient disponibles.

#### Activation du système d'informations RDS

Lorsque vous écoutez une station FM comportant le système RDS, appuyez plusieurs fois sur la touche Info pour parcourir les informations RDS disponibles. Ceci fonctionne uniquement lorsque la réception est suffisamment bonne et claire.

- |                            |   |
|----------------------------|---|
| a. Radio Texte (RT)        | Affiche des messages de la station FM que vous écoutez, sous la forme d'un texte défilant.  |
| b. Type de Programme (PTY) | Affiche le type de station FM que vous écoutez. Exemples : Pop, Classique, Actualités, etc. |
| c. Fréquence               | Affiche la fréquence de la station FM que vous écoutez.                                     |
| d. Stereo ou Mono          | Affiche Stereo ou Mono.   |
| e. Force du Signal         | Affiche la force du signal de réception de la station FM que vous écoutez.                  |
| f. Heure et Date           | Affiche l'heure exacte (horloge 24 heures) et la date.                                      |

#### Réglage de la sensibilité de balayage en mode FM

La radio effectue normalement un balayage de toutes les stations FM, y compris celles dont le signal est faible. Il vous est toutefois possible de régler la fonction de balayage de telle sorte que seules les stations FM dont le signal est fort assez pour offrir une bonne réception, soient captées.

- Appuyez sur la **touche ON/OFF** pour allumer la radio.
- Appuyez sur la **touche Source** (touche de sélection de la source audio) pour sélectionner le mode FM.
- Appuyez sur la **touche Menu**. "Scan setting" (Réglage de la sensibilité de balayage) sera ensuite affiché à l'écran.
- Appuyez sur le **bouton de Fréquence**.
- Tournez le **bouton de Fréquence** pour sélectionner "All stations" (Toutes les stations) ou "Strong stations" (Stations au signal fort). Le réglage standard est "All stations" (Toutes les stations). Lorsque l'option "Strong stations" (Stations au signal fort) a été sélectionnée, la radio captera, lors du balayage des stations FM, uniquement les stations dont le signal est fort.
- Appuyez sur le **bouton de Fréquence** pour confirmer le réglage.

## PRESELECTION DE STATION

#### Mémoire de stations présélectionnées

La radio possède 20 emplacements de mémoire de stations présélectionnées, 10 pour la FM et 10 pour la DAB. Les stations présélectionnées seront conservées dans la mémoire de la radio même en cas de coupure de courant.

- Appuyez sur la **touche ON/OFF** pour allumer la radio.
- Appuyez sur la **touche Source** (touche de sélection de la source audio) pour sélectionner le mode FM ou DAB.

- Sélectionnez la station souhaitée.
- Appuyez sur la **touche de Présélection** souhaitée jusqu'à ce que la radio émette un bip et affiche "Saved" (Mémoire).
- Répétez les étapes 3 et 4 pour les autres présélections.
- Les stations présélectionnées et mémorisées peuvent être écrasées en répétant les points 3 et 4 ci-dessus.

#### Rappel de stations présélectionnées

- Appuyez sur la **touche ON/OFF** pour allumer la radio.
- Appuyez sur la **touche Source** (touche de sélection de la source audio) pour sélectionner le mode FM ou DAB.
- Appuyez brièvement sur la **touche de Présélection** souhaitée. Le numéro de la présélection et la fréquence de la station seront ensuite affichés à l'écran.

### REGLAGE MANUEL DE L'HEURE ET DE LA DATE

L'heure et la date peuvent être réglées manuellement uniquement lorsque la radio est en mode standby (veille). Lorsqu'aucune touche n'est activée pendant 5 secondes, la radio quittera le mode de réglage de l'heure et l'heure réglée sera annulée.

- Appuyez sur le **bouton de Fréquence** pendant 12 secondes jusqu'à ce que les chiffres correspondant aux heures clignotent à l'écran.
- Tournez le **bouton de Fréquence** pour régler l'heure.
- Appuyez sur le **bouton de Fréquence** pour confirmer, les chiffres correspondant aux minutes clignoteront ensuite à l'écran.
- Tournez le **bouton de Fréquence** pour régler les minutes.
- Appuyez sur le **bouton de Fréquence** pour confirmer, les chiffres correspondant aux jours clignoteront ensuite à l'écran.
- Tournez le **bouton de Fréquence** pour régler le jour exact.
- Appuyez sur le **bouton de Fréquence** pour confirmer, les chiffres correspondant aux mois clignoteront ensuite à l'écran.
- Tournez le **bouton de Fréquence** pour régler le mois exact.
- Appuyez sur le **bouton de Fréquence** pour confirmer, les chiffres correspondant aux années clignoteront ensuite à l'écran.
- Tournez le **bouton de Fréquence** pour régler l'année exacte.
- Appuyez sur le **bouton de Fréquence** pour confirmer. "SYNCLOCK ON" (Synchronisation de l'heure) clignotera ensuite à l'écran.
- Tournez le **bouton de Fréquence** pour sélectionner "SYNCLOCK ON" ou "SYNCLOCK OFF".
- Appuyez sur le **bouton de Fréquence** pour confirmer votre sélection et terminer le réglage de l'heure et de la date.

#### Synchronisation de l'heure par stations RDS

Lorsque "SYNCLOCK ON" a été sélectionné, l'icône "🕒" sera affichée à l'écran. Certaines stations RDS transmettent un signal horaire. Lorsque la réception est bonne et que vous avez sélectionné l'option "SYNCLOCK ON", l'heure sera réglée

automatiquement ("🕒" clignotera à l'écran). La synchronisation de l'heure peut prendre quelques minutes. Le réglage automatique de l'heure sera toujours activé lorsque la radio est allumée en mode de réception FM et capte une station RDS.

### MODE BLUETOOTH

#### Appareiller votre téléphone portable en Bluetooth

- Appuyez sur la **touche ON/OFF** pour allumer la radio.
- Appuyez sur la **touche Source** pour sélectionner le mode Bluetooth.
- L'écran LCD indique alors « Not connected » (Non connecté) tant que la radio n'est pas couplée avec votre téléphone portable.
- Activez le Bluetooth dans le menu Réglages de votre téléphone, puis sélectionnez « **PP Workstation 2** » dans la liste des appareils Bluetooth de votre téléphone (Les instructions d'appareillage peuvent varier en fonction de votre type de téléphone. Consultez le mode d'emploi de votre téléphone).
- Une fois appareillés, l'écran d'affichage LCD affiche « BT connected » (Bluetooth connecté) sur la première ligne, et le nom de votre téléphone sur la seconde ligne après environ 2 secondes.
- Puis l'écran d'affichage affichera le nom du téléphone portable connecté sur la première ligne pour indiquer l'appareil connecté à la radio.

#### Écouter la musique de votre téléphone

- Appuyez sur la **touche ON/OFF** pour allumer la radio.
- Appuyez sur la **touche Source** pour sélectionner le mode Bluetooth.
- Lancez votre titre sur le lecteur media du téléphone appareillé.
- Utilisez les **touches ►II, ►►I et I◀◀** (touches de présélection 3, 4 et 5) de la radio pour commander les différentes fonctions d'écoute de vos morceaux préférés.
- Lorsque la lecture du morceau commence, le titre du morceau s'affiche sur l'écran LCD.

#### Modes d'affichage - Bluetooth

La radio possède différentes options d'affichage lorsqu'elle est en mode Bluetooth.. Appuyez sur la **touche Info** pour naviguer entre les différentes options.

- |                       |   |
|-----------------------|---|
| a. Titre du morceau : | Affiche le titre du morceau actuellement en lecture.  |
| b. Artiste :          | Affiche le nom de l'artiste du morceau actuellement en lecture.   |
| c. Album :            | Affiche les informations sur l'album en cours de lecture.   |
| d. Statut :           | Affiche le statut du morceau. Par exemple en lecture, en pause  |
| e. Info musique :     | Affiche le format du fichier et le taux d'échantillonnage du morceau en lecture. Par exemple « AAC » est le format du morceau; « 44100 Hz » est le taux d'échantillonnage du morceau. |
| f. Heure et date :    | Affiche l'heure et la date  |

## Liste des appareils - Se connecter à l'appareil couplé

Sur cette radio, vous pouvez sélectionner l'appareil Bluetooth à appareiller dans la Liste des appareils afin de vous reconnecter à cet appareil.

Les noms des appareils s'afficheront dans la liste si le nom du Bluetooth a été préalablement configuré dans les appareils mobiles. Référez-vous au mode d'emploi de votre téléphone portable pour la configuration.

La liste des appareils peut-être consultée en suivant ces instructions:

1. En mode Bluetooth, appuyez sur la **touche Menu** pour entrer dans le menu réglage.
2. Tournez le **bouton de Fréquence** jusqu'à ce que « Device Liste » (Liste des appareils) s'affiche à l'écran; appuyez sur le **bouton de Fréquence** pour sélectionner le réglage.
3. Tournez le **bouton de Fréquence** pour voir le nom des appareils.
4. Appuyez sur le **bouton de Fréquence** pour commencer la reconnexion Bluetooth. La radio se reconnectera automatiquement à l'appareil mobile sélectionné.

**Remarque:** Cette radio peut mémoriser jusqu'à 8 appareils Bluetooth. Lorsque la mémoire dépasse ce nombre, le premier appareil couplé sera effacé de la radio.

**Remarque:** Si vous avez effacé « **PP WorkStation 2** » de la liste des appareils de votre téléphone portable, la reconnexion automatique ne pourra s'établir.

## Recommencer l'appareillage Bluetooth

La fonction Bluetooth peut être gérée de différentes manières:

1. En mode Bluetooth, appuyez sur la **touche Menu** pour entrer dans le menu de réglages.
2. Tournez le **bouton de Fréquence** pour sélectionner l'option « Disconnect BT » (déconnecter le Bluetooth), et appuyez sur le **bouton de Fréquence** pour sélectionner le réglage désiré.
3. L'écran d'affichage LCD affichera alors « Please wait » (Attendre SVP) pendant quelques secondes afin de déconnecter l'appareillage actuel avec l'appareil mobile.
4. L'écran d'affichage affichera « Not connected » (Non connecté) et le Bluetooth de la radio sera alors disponible pour être connecté à un autre appareil mobile puisqu'il sera désormais en mode visible.

Remarque: Disconnect Bluetooth (Déconnectez le Bluetooth) est l'option qui force le Bluetooth de la radio à se déconnecter de l'appareil mobile et à devenir visible pour un autre appareillage. Si aucun nouvel appareil est appareillé, le Bluetooth de la radio tentera automatiquement de se reconnecter au dernier appareil couplé lorsque la radio sera rallumée.

La fonction Auto- Power Management sera activée en mode Bluetooth. S'il n'y a pas de signal\* pendant plus de 15 minutes, la radio se mettra automatiquement en mode veille. Appuyez sur la touche On/Off pour enclencher la radio à nouveau.

\*Lorsque le signal entrant de l'appareil externe est trop faible et ne peut être détecté pendant plus de 15 minutes, par la fonction Auto-Power management, la radio se mettra automatiquement en mode veille.

Pour l'éviter, augmentez suffisamment la puissance de sortie de l'appareil externe pour qu'il soit détecté.

## Bluetooth LED configuration

1. Appuyez sur la **touche ON/OFF** pour allumer la radio.
2. Appuyez sur la **touche Menu** puis tournez le **bouton de Fréquence** jusqu'à ce que l'écran affiche « System » (système).
3. Appuyez sur le **bouton de Fréquence**; tournez le **bouton de Fréquence** jusqu'à ce que l'écran affiche « Bluetooth LED ».
4. Appuyez sur le **bouton de Fréquence** pour entrer dans le menu de réglage de la LED Bluetooth.
5. Tournez le **bouton de Fréquence** pour sélectionner « on » (par défaut) afin de garder la LED Bluetooth allumée lorsque votre appareil mobile est connecté;
6. Ou tournez le **bouton de Fréquence** pour sélectionner « off » afin d'éteindre la LED Bluetooth lorsque la connexion Bluetooth a été établie.
7. Appuyez sur le **bouton de Fréquence** pour confirmer votre choix.

## RECHARGE D'UN TELEPHONE PORTABLE

La sortie de courant USB du côté gauche de la radio vous permet de recharger votre téléphone portable avec un courant continu de 5V/0.5A. Raccordez à cet effet votre téléphone portable à la sortie de courant USB au moyen d'un câble approprié (non fourni). La sortie de courant USB peut être utilisée dans tous les modes, mode standby (veille) compris. Consultez le mode d'emploi du fabricant de votre téléphone portable afin de vous assurer s'il est possible de recharger celui-ci au moyen d'une prise USB. La sortie de courant USB est prévue uniquement pour fournir un courant continu de 5V/0.5A et ne convient pas pour écouter de la musique à partir d'une clé USB par exemple.

**Avvertissement :** N'utilisez jamais la sortie de courant USB sous la pluie ou dans un environnement humide, de façon à éviter que de l'humidité pénètre dans la radio et y provoque un court-circuit. Conservez dans ce cas la coiffe en caoutchouc toujours bien fermée.

Il est conseillé de raccorder la radio à une prise de courant secteur pour recharger un téléphone portable au moyen de la sortie de courant USB. Il est également possible de recharger un téléphone portable au moyen de la sortie de courant USB en utilisant les piles de la radio, mais le téléphone portable consommera dans ce cas beaucoup de courant des piles, de sorte que celles-ci se déchargeront plus rapidement.

## FAIRE FONCTIONNER LA RADIO – ENTREE AUXILIAIRE

Une prise d'entrée auxiliaire stéréo de 3.5mm est fournie sur le côté derrière le capuchon en caoutchouc pour brancher un appareil audio externe tel qu'un lecteur MP3 ou un lecteur CD (non inclus)

1. Branchez une source audio stéréo et mono à la prise d'entrée auxiliaire.
2. Appuyez sur le Bouton source pour sélectionner l'entrée auxiliaire. L'écran affichera "AUX IN".
3. Appuyez sur le lecteur externe.
4. Ajustez le volume de la radio et du lecteur pour une bonne écoute.

Remarques: Ne jamais utiliser la sortie auxiliaire lorsqu'il pleut ou en cas d'humidité pour éviter que l'humidité ne pénètre dans la radio. Dans ces conditions, gardez le capuchon en caoutchouc bien fermé.

La fonction de gestion d'alimentation automatique sera activée en mode auxiliaire (AUX IN). S'il n'y a aucun signal de la prise d'entrée AUX pendant plus de 15 minutes, la radio passera automatiquement en mode veille. Vous pourrez réactiver la radio en pressant le bouton Marche/Arrêt.

D'autre part, lorsque le signal entrant de l'appareil extérieur est trop faible et qu'il ne peut pas être détecté par la fonction de gestion automatique pendant plus de 15 minutes, la radio passe systématiquement en mode veille. Pour éviter cela, augmentez le niveau de sortie de l'appareil externe de façon à ce qu'il soit détecté.

## SONORITE

Appuyez sur la touche Loudness (Sonorité) pour obtenir une compensation dans les basses et hautes fréquences. L'effet sera plus audible lorsque la radio est réglée à un faible volume (Dynamic Loudness).

1. Appuyez sur la **touche ON/OFF** pour allumer la radio.
2. Appuyez sur la **touche Menu** et tournez le **bouton de Fréquence** jusqu'à ce que "System" soit affiché à l'écran.
3. Appuyez sur le **bouton de Fréquence** et tournez ensuite celui-ci jusqu'à ce que "Loudness" (Sonorité) soit affiché à l'écran.
4. Tournez le **bouton de Fréquence** pour sélectionner "Loudness On" ou "Loudness Off". Appuyez ensuite sur le **bouton de Fréquence** pour confirmer votre sélection.

## REGLAGE DE LA TONALITE

La fonction de **réglage de la tonalité (Tone)** vous permet d'ajuster le niveau des basses et des aigues en fonction de vos goûts personnels.

1. Appuyez sur la **touche ON/OFF** pour allumer la radio.
2. Appuyez sur le **bouton de Volume** pendant 3 sec. "BASS 0" (BASSES 0) sera alors affiché à l'écran.
3. Tournez le **bouton de Volume** pour régler les basses au niveau souhaité.
4. Appuyez sur le **bouton de Volume** pour confirmer. "TREBLE 0" (AIGUES 0) sera ensuite affiché à l'écran.
5. Tournez le **bouton de Volume** pour régler les aigues au niveau souhaité.
6. Appuyez sur le **bouton de Volume** pour confirmer votre sélection.

## ANTENNE TELESCOPIQUE EN METAL

L'antenne télescopique en métal peut être utilisée dans des endroits où le signal de réception (FM/DAB/DAB+) est faible à très faible.

ATTENTION : L'antenne standard de la radio est une antenne souple. L'antenne télescopique en métal est par contre une antenne rigide. Celle-ci doit être manipulée avec précaution. Le bris ou la courbure excessive de l'antenne télescopique en métal n'est pas couvert par la garantie.

Montage : Dévissez l'antenne souple standard. Desserrez d'abord celle-ci avec précaution à l'aide d'une clé plate de 14. Tournez dans le sens inverse des aiguilles d'une montre. Vissez ensuite avec précaution l'antenne télescopique en métal. Serrez légèrement celle-ci à l'aide d'une clé plate de 14. Tournez dans le sens des aiguilles d'une montre.

**ATTENTION : Evitez de serrer exagérément les antennes avec la clé plate de 14 au risque d'endommager ou de briser la partie filetée des antennes.**

## SELECTION DE LA LANGUE

La radio peut être réglée de façon à ce que l'affichage soit dans la langue de votre choix.

1. Appuyez sur la **touche ON/OFF** pour allumer la radio.
2. Appuyez sur la **touche Menu** et tournez le **bouton de Fréquence** jusqu'à ce que "System" soit affiché à l'écran.
3. Appuyez sur le **bouton de Fréquence** et tournez ensuite celui-ci jusqu'à ce que "Language" (Langue) soit affiché à l'écran.
4. Appuyez sur le **bouton de Fréquence** pour entrer dans le menu de sélection de la langue.
5. Tournez le **bouton de Fréquence** pour sélectionner la langue souhaitée. Le réglage standard est l'anglais.
6. Appuyez sur le **bouton de Fréquence** pour confirmer votre sélection.

## VERSION DU LOGICIEL

Il n'est pas possible de modifier l'affichage de la version du logiciel. Cet affichage est donné uniquement à titre d'information. Il est cependant possible de voir la version du logiciel dans le menu DAB ou FM.

1. Appuyez sur la **touche ON/OFF** pour allumer la radio.
2. Appuyez sur la **touche Source** (touche de sélection de la source audio) pour sélectionner le mode FM ou DAB.
3. Appuyez sur la **touche Menu** et tournez le bouton de Fréquence jusqu'à ce que "System" soit affiché à l'écran.
4. Appuyez sur le **bouton de Fréquence** et tournez ensuite celui-ci jusqu'à ce que "SW version" (Version du logiciel) soit affiché à l'écran.
5. Appuyez sur le **bouton de Fréquence** pour voir la version du logiciel.
6. Appuyez de nouveau sur le **bouton de Fréquence** pour revenir au menu standard de la radio.

Remarque : La prise USB dans le logement des piles est destinée à la mise à jour éventuelle du logiciel si nécessaire.

## REINITIALISATION DU SYSTEME

Lorsque la radio ou l'affichage ne fonctionne pas correctement ou en l'absence d'affichage, suivez la procédure ci-dessous.

1. Appuyez sur la **touche ON/OFF** pour allumer la radio.
2. Appuyez sur la **touche Menu** et tournez le **bouton de Fréquence** jusqu'à ce que "System" soit affiché à l'écran.
3. Appuyez sur le **bouton de Fréquence** et tournez ensuite celui-ci jusqu'à ce que "Factory reset" (Réglages d'usine) soit affiché à l'écran.
4. Appuyez sur le **bouton de Fréquence** et tournez ensuite celui-ci pour sélectionner "Yes" ("Oui") ou "No" ("Non").
5. Appuyez sur le **bouton de Fréquence** pour confirmer votre sélection.
6. Une réinitialisation complète de la radio sera alors effectuée. La mémoire de stations présélectionnées sera effacée et tous les réglages personnels seront annulés. Les réglages d'usine seront ensuite restaurés. Le message "WELCOME TO DIGITAL RADIO" (BIENVENUE A LA RADIO NUMERIQUE) sera affiché à l'écran et la radio effectuera ensuite automatiquement un balayage de la plage de fréquences DAB et FM.

En cas de perturbations provoquées par une décharge électrostatique, procédez à la réinitialisation de la radio comme décrit ci-dessus. En cas d'échec, retirez la fiche du cordon d'alimentation de la prise de courant et enlevez les piles. Rebranchez ensuite le cordon d'alimentation et réinsérez les piles dans la radio.

## ECLAIRAGE DE L'ECRAN

### Configuration du rétro-éclairage de l'écran d'affichage LCD

1. Appuyez sur la **touche ON/OFF** pour allumer la radio.
2. Appuyez sur la **touche menu** puis tournez le **bouton de Fréquence** jusqu'à ce que l'écran affiche « System ».
3. Appuyez sur le **bouton de Fréquence**; tournez le **bouton de Fréquence** jusqu'à ce que l'écran affiche « LCD backlight » (LCD éclairage).
4. Appuyez sur le **bouton de Fréquence** pour entrer dans le menu de réglage du rétro-éclairage de l'écran d'affichage LCD.
5. Tournez le **bouton de Fréquence** pour sélectionner « on » afin de garder le rétro-éclairage continuellement allumé lorsque la radio fonctionne sur secteur.
6. Ou tournez le **bouton de Fréquence** pour sélectionner « off » (par défaut) afin que lorsque vous utilisez la radio sur secteur, le rétro-éclairage reste allumé pendant environ 10 secondes à chaque fois que vous appuyez sur un bouton.
7. Appuyez sur le **bouton de Fréquence** pour confirmer votre choix.

Remarque: L'option de rétro-éclairage de l'écran LCD est seulement fonctionnelle sur « on » lorsque la radio fonctionne sur secteur. Lorsqu'elle fonctionne sur piles, l'option de rétro-éclairage de l'écran LCD est automatiquement sur « off » - 10 secondes d'éclairage de l'écran lorsqu'un bouton est pressé. Lorsque la radio est branchée à nouveau sur secteur, la dernière configuration choisie par l'utilisateur sera à nouveau appliquée.

## PROTECTION PAR CODE PIN (SYSTEME ATP)

La radio Handsfree est équipée d'un système de protection contre le vol (système ATP). Lorsque le système ATP est activé, un code PIN est nécessaire pour déverrouiller et utiliser la radio.

1. Appuyez sur la **touche ON/OFF** pour allumer la radio.
2. Appuyez sur la **touche Menu**.
3. Tournez le **bouton de Fréquence** jusqu'à ce que "System" soit affiché à l'écran. Appuyez ensuite sur le bouton de Fréquence.
4. Tournez le **bouton de Fréquence** jusqu'à ce que "Passcode" (Code PIN) soit affiché à l'écran. Appuyez ensuite sur le **bouton de Fréquence**. "Enable" (Activer) ou Disable" (Désactiver) apparaîtra alors à l'écran. Pour activer le système ATP, tournez et appuyez sur le **bouton de Fréquence** pour sélectionner "Enable" (Activer).
5. "Change Passcode" (Changer Code PIN) apparaîtra ensuite à l'écran. Entrez un code PIN constitué de 4 chiffres à l'aide des **touches de présélection** (1-10).
6. "Confirm Passcode" (Confirmer Code PIN) apparaîtra ensuite à l'écran. Entrez de nouveau le même code PIN pour confirmer celui-ci.
7. Pour désactiver le système ATP, sélectionnez "Disable" (Désactiver) comme décrit ci-dessus. Entrez ensuite votre code PIN pour désactiver le système ATP.

Lorsque le système ATP est activé et lorsque le mauvais code PIN a été entré trois fois de suite, une minuterie sera alors activée. Il est dans ce cas nécessaire d'attendre que le temps défini par la minuterie soit écoulé pour faire une nouvelle tentative. Le temps défini par la minuterie s'allongera de plus en plus en fonction du nombre de tentatives infructueuses.

**AVERTISSEMENT : Lorsque vous décidez d'utiliser un code PIN afin de protéger la radio contre le vol, notez et conservez celui-ci dans un endroit sûr. Cette précaution est fortement conseillée, étant donné qu'il n'existe aucune autre manière de déverrouiller la radio en cas d'oubli du code PIN.**

## OPTION MESSAGE D'ACCUEIL

Cette radio est munie d'une option de personnalisation: il est effectivement possible de nommer la radio. Si la radio a été nommée, le nom de la radio s'affiche lorsque la radio s'allume et lorsque la radio s'éteint.

1. Appuyez sur la **touche ON/OFF** pour allumer la radio.
2. Appuyez sur la **touche Menu** puis tournez le **bouton de Fréquence** jusqu'à ce que "System" (système) soit affiché à l'écran.
3. Appuyez sur le **bouton de Fréquence** et tournez celui-ci jusqu'à ce que "Name" (Nom) soit affiché à l'écran. Appuyez sur le **bouton de Fréquence**.
4. Tournez le **bouton de Fréquence** pour sélectionner les lettres. La longueur maximale du nouveau nom est de 16 lettres.
5. Appuyez sur le **bouton de Fréquence** pour confirmer la sélection. En appuyant sur ce **bouton de Fréquence**, le curseur se déplace en position suivante pour une nouvelle sélection.
6. Appuyez sur le **bouton P3 / I◀◀ ou P4 / ▶▶I** pour déplacer le curseur vers la gauche ou vers la droite.
7. Répétez les étapes 4 à 6 pour configurer le nouveau nom de la radio.
8. Pour achever de paramétrer le nouveau nom de la radio, vous pouvez au choix sélectionner les 16 lettres ou appuyer sur la **touche Menu**.
9. Lorsque le paramétrage du nom de la radio sera terminé, l'écran LCD affichera « Confirm changes » (confirmer les modifications) et « OK » pour sauvegarder les modifications ou « Cancel » (annuler) pour abandonner les modifications.
10. Pour confirmer les modifications, tournez le **bouton de Fréquence** jusqu'à « OK » puis pressez ensuite le **bouton de Fréquence** pour sortir du menu. Après cette action, la radio sauvegardera le nouveau nom.
11. Pour annuler les modifications, tournez le **bouton de Fréquence** jusqu'à « Cancel » (annuler) et appuyez ensuite sur le **bouton de Fréquence** pour sortir du menu. Après cette action, la radio abandonnera les modifications et gardera le nom actuel de la radio pour l'affichage.
12. Lorsque la radio sera mise en marche la fois suivante, l'écran LCD affichera « Welcome » (Bienvenue) sur la première ligne et le nouveau nom sur la seconde ligne.
13. Lorsque la radio sera arrêtée, l'écran LCD affichera « Goodbye » (Au revoir) sur la première ligne et le nouveau nom sur la seconde ligne.

### Remarques:

- Dans le menu Message d'accueil, si aucune action n'est effectuée pendant plus de 20 secondes pendant le paramétrage, la radio sortira automatiquement de la fonction Message d'accueil sans sauvegarder aucune modification.
- Le nom de la radio est vide par défaut. Après avoir effectué une réinitialisation (réglages d'usine) dans le menu, le nouveau nom choisi sera perdu et la configuration par défaut (aucun nom) sera automatiquement affichée.
- La radio peut afficher un nom d'un maximum de 16 lettres.



## GARANTIE

Ce produit est garanti pendant deux ans.

AVERTISSEMENT : LA GARANTIE PREND FIN LORSQUE LE BOITIER DE LA RADIO A ETE OUVERT OU LORSQUE LA RADIO A ETE MODIFIEE DE QUELQUE MANIERE QUE CE SOIT PAR L'UTILISATEUR FINAL.

La garantie de la radio ne couvre pas :

- Les dommages et le bris résultant d'une utilisation non correcte, d'un usage abusif, d'une négligence, de modifications, d'accidents ou de réparations non autorisées.
- L'usure normale en cours d'utilisation.
- Le bris ou la courbure excessive de l'antenne télescopique en métal.
- Les piles.

## INFORMATIONS

### Données techniques



La radio est déparasitée conformément aux directives EU en vigueur.

Ce produit satisfait aux directives européennes 2006/95/CE, 2005/32/CE et 2004/108/CE.

La radio satisfait à la réglementation en matière de sécurité DIN EN 60065 (VDE 0860) et dès lors à la réglementation internationale en matière de sécurité IEC 60065.

Ne jamais ouvrir le boîtier de la radio.

Le fabricant décline toute responsabilité en cas de dommages résultant d'une utilisation non correcte ou abusive de la radio.

La plaque signalétique se trouve sur la face inférieure de la radio.

### Protection de l'environnement



Ce produit est fabriqué avec des pièces et des matériaux de qualité, susceptibles d'être réutilisés et recyclés.

Lorsque ce produit a atteint la fin de sa vie utile, ne le jetez pas conséquemment pas avec les ordures ménagères ordinaires, mais confiez-le à un point de collecte et de recyclage d'appareils électriques et électroniques. Le symbole ci-contre figure à cet effet sur le produit, dans le mode d'emploi ainsi que sur l'emballage.

Veuillez-vous informer auprès des autorités communales au sujet des points de collecte les plus proches de chez vous. Aidez à protéger l'environnement en recyclant les produits usagés.



### Alimentation électrique

Courant secteur:  
AC 230 V ~, 50/60Hz

Piles:  
6 x 1,5V (Alcaline type IEC LR20 / UM-1 / format D)

Piles de sauvegarde:  
2 x 1,5V (Alcaline type LR6 / UM-3 / format AA)

### Consommation de courant (courant secteur)

Utilisation: < 33 W  
Standby: < 1 W

### Plage de fréquences

FM 87,5 – 108,0 MHz  
DAB 174,928 – 239,200 MHz

### Bluetooth

Version 3.0 compatible avec les profils Bluetooth A2DP, AVRCP et HFP

### Haut-parleur

Dimensions 2 x Ø100mm  
Résistance 8 ohms

### Puissance de sortie

Nominale 2 x 10W

### Entrée Aux in

Ø3,5mm

**Sortie USB** Maximum 5V, 0.5A

## INHOUD

BELANGRIJKE ALGEMENE VEILIGHEIDSINSTRUCTIES.....	P.2
BEDIENINGSELEMENTEN.....	P.3
STROOMBRONNEN .....	P.5
ALGEMENE FUNCTIES .....	P.6
EERSTE GEBRUIK VAN DE RADIO .....	P.7
DAB MODUS .....	P.8
FM MODUS .....	P.10
VOORKEUZE ZENDERS INSTELLEN .....	P.11
HANDMATIG DE KLOK INSTELLEN.....	P.12
BLUETOOTH MODUS .....	P.13
EEN MOBIELE TELEFOON OPLADEN .....	P.15
AUX IN MODUS .....	P.16
LOUDNESS .....	P.16
TOONREGELING .....	P.17
METALEN TELESCOPIsche ANTENNE .....	P.17
TAAL INSTELLEN.....	P.17
SOFTWARE VERSIE .....	P.18
SYSTEEM RESET .....	P.18
DISPLAY VERLICHTING.....	P.19
ATP PINCODE BEVEILIGING.....	P.20
RADIO NAAM OPTIE .....	P.21
GARANTIE .....	P.22
INFORMATIE .....	P.23

**WAARSCHUWING! DE GARANTIE VERVALT INDIEN DE BEHUIZING VAN HET APPARAAT GEOPEND IS OF INDIENDE HET APPARAAT DOOR DE EINDGEBRUIKER OP ENIGERLEI WIJZE GEMODIFICEERD OF VERANDERD IS.**



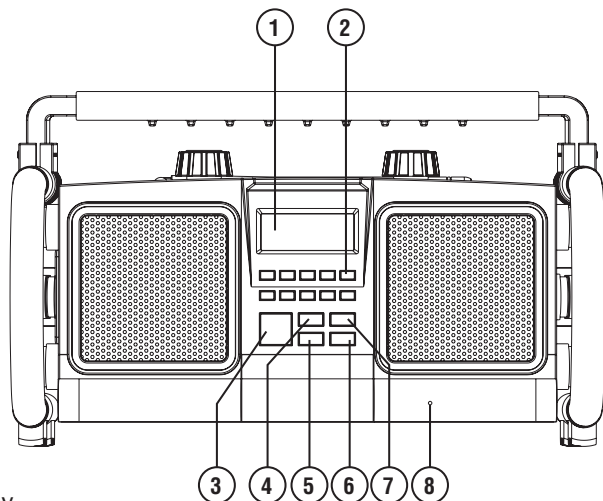
LET OP: gevaar voor elektrische schok – niet openen.

## BELANGRIJKE ALGEMENE VEILIGHEIDSINSTRUCTIES

1. Lees deze instructies.
2. Bewaar deze instructies goed.
3. Neem alle waarschuwingen in acht.
4. Volg alle aanwijzingen op.
5. Reinig het uitsluitend met een droge doek.
6. Blokkeer geen ventilatieopeningen en plaats het toestel volgens de instructies.
7. Plaats het niet in de buurt van warmtebronnen zoals verwarmingen, ventilatiekleppen, ovens en andere apparaten (incl. versterkers) die warmte afgeven.
8. Beschadig niet de ten behoeve van de veiligheid gepoolde of geaarde stekkers. Een gepoolde stekker bezit twee contacten, een is breder dan de andere. Een geaarde stekker bezit twee contacten en een derde pen voor de aarding. Het brede contact of de derde pin dienen voor uw veiligheid. Mocht de meegeleverde stekker niet in uw stopcontact passen, neem dan voor het vervangen van het verouderde stopcontact contact op met een elektricien.
9. Bescherm de stroomkabel, opdat hierop niet gelopen wordt en er geen beschadigingen of knikken optreden aan de stekker, aan het stopcontact of op de plek waar de stekker uit het toestel komt.
10. Gebruik uitsluitend de door de fabrikant aangegeven onderdelen/accessoires.
11. Gebruik het toestel uitsluitend met de door de fabrikant aangegeven of samen met het toestel gekochte wagentjes, standards, driepoten, klemmen of tafel. Wanneer u een wagen gebruikt, wees dan voorzichtig bij het bewegen van de combinatie wagen/toestel om letsel door omvallen te vermijden.
12. Koppel het toestel van de stroomvoorziening af bij onweer of wanneer het langere tijd niet wordt gebruikt.
13. Laat iedere vorm van onderhoud door gekwalificeerd personeel verrichten. Een onderhoud is noodzakelijk wanneer het toestel aan de stroomkabel of stekker beschadigd werd, wanneer er vloeistof of voorwerpen in het toestel zijn binnengedrongen, wanneer het toestel aan regen of vochtigheid was blootgesteld en wanneer het niet normaal functioneert resp. gevallen is.
14. Stel het toestel noch aan regen noch aan vochtigheid bloot om het gevaar voor brand of het risico van een elektrische schok te reduceren.
15. Verwijder de afdekking niet. In het binnenste bevinden zich geen onderdelen waarvoor een onderhoud noodzakelijk is.
16. Geen voorwerpen op het apparaat plaatsen welke een bron zijn van open vlammen.
17. Gebruik bij het gebruik in de open lucht op regenachtige dagen of bij vochtig weer uitsluitend batterijen om een elektrische schok te vermijden. Om elektrische schok te voorkomen, als de radio blootgesteld is geweest aan regen of water, dienen zowel het snoer als de stekker volledig gedroogd te worden alvorens de stekker in het stopcontact wordt gestoken.
18. De netstekker moet dicht bij het toestel en steeds toegankelijk zijn, zodat in geval van nood (bijv. om het toestel van het stroomnet te scheiden) alleen de stekker uit het stopcontact moet worden getrokken.
19. De productinformatie is te vinden op de onderzijde van het toestel.
20. Dit apparaat is voorzien van bescherming tegen spattend water (IP65).
21. In geval van storing ten gevolge van Electro-statische ontlading of piekspanning, verwijder de stroombron en sluit deze daarna weer aan.
22. Om mogelijke gehoorschade te voorkomen niet op een hoog volume gedurende een lange periode luisteren.

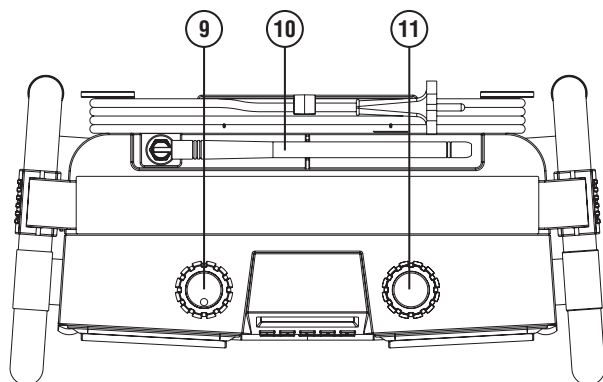


## Voorkant



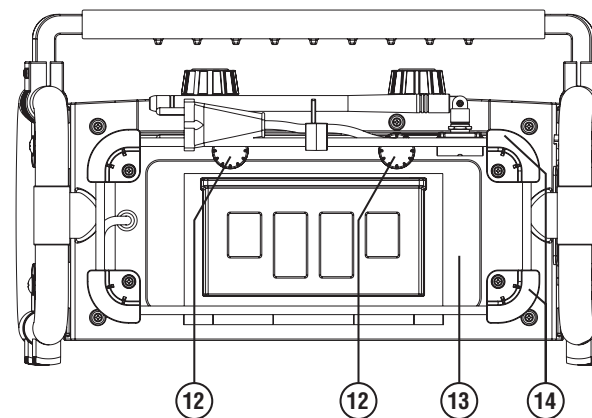
1. LCD display
2. Voorkeuze-toetsen (1-10)
3. Aan/uit toets
4. Audiobron keuzetoets
5. Menu toets
6. Info toets
7. Mono/Stereo toets
8. Bluetooth verbonden LED

## Van boven



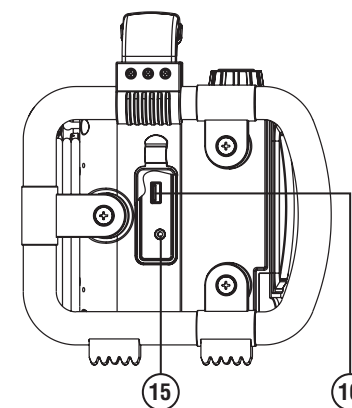
9. Volume draaiknop / Toonregeling
10. Flexibele antenne
11. Frequentie draaiknop

## Achterkant



12. Batterijen compartiment sluitingen
13. Batterijen compartiment
14. Stroomkabel-opberghaken

## Zijkant



15. Aux-ingang en rubberen afdekking
16. USB stroomuitgang (5V/0.5A)

## STROOMBRONNEN

### Gebruik met batterijen

1. Om het batterijvak te openen draait u eerst de bevestigingen van de batterijklep tegen de wijzers van de klok om deze los te draaien en trekt vervolgens de afdekking eraf.
2. Plaats 6 batterijen in het formaat D (UM-1) met de juiste poling in het batterijvak. Sluit het klepje en draai de bevestigingen aan door ze met de klok mee te draaien.
3. Wanneer het toestel langere tijd niet wordt gebruikt, is het raadzaam om de batterijen uit de radio te verwijderen.

De status van de batterijen (ongeveer) wordt op het LCD-display van de radio aangegeven. Wanneer de capaciteit laag is, verschijnt de mededeling "Battery low!" (batterij zwak) en het batterijsymbool op het display knippert. Dan moeten de batterijen op korte termijn worden vervangen om een normaal gebruik van de radio te kunnen garanderen.

### Geheugen-batterij

De geheugen-batterijen dienen ervoor om de vooraf ingestelde zenders en de juiste tijd op te slaan.

Het is ook dan noodzakelijk om geheugen-batterijen (2 x formaat AA / UM-3) voor het beveiligen van het opslaan in te leggen, wanneer u uw toestel uitsluitend via het stroomnet gebruikt. Zonder de geheugen-batterijen gaan de instellingen voor de juiste tijd en vooraf ingestelde zenders verloren, wanneer u het toestel van de stroom afkoppelt of wanneer de stroom uitvalt.

Waarschuwing:

Er bestaat gevaar voor explosie, wanneer de batterijen foutief worden vervangen.

Vervang uitsluitend door hetzelfde of een equivalent type.

Stel de batterijen niet bloot aan een buitensporig grote hitte zoals bijv. fel zonlicht, vuur of iets dergelijks. Batterijen mogen niet door verbranding of via het normale huisvuil worden verwijderd. Wegwerpbatterijen dienen indien mogelijk bij een speciaal recyclingcentrum te worden afgegeven.

### Gebruik op netspanning

Voordat u de aansluitkabel met het stopcontact verbindt, dient u te controleren of de spanning correct is. Wanneer u tijdens het gebruik op netspanning batterijen in de radio hebt, worden de batterijen automatisch uitgeschakeld.

Opmerking: Om het toestel compleet van de stroomvoorzorging af te koppelen moet de aansluitstekker volledig uit het stopcontact worden getrokken.

## ALGEMENE FUNCTIES

1. **De radio aan en uit zetten**  
Druk op de **Aan/Uit toets** om de radio in te schakelen of terug op standby te zetten.
2. **Kiezen tussen DAB / FM / Bluetooth /AUX-IN modus.**  
Druk op **Audiobron keuzetoets** (Source) om van de ene naar de andere modus te gaan.
3. **De radio afstemmen op de gewenste zender**  
Draai aan de **Frequentie draaiknop** (rechtsboven).
4. **Volume aanpassen**  
Draai aan de **Volume draaiknop** (linksboven).
5. **Toon aanpassen**  
Druk op de **Volume draaiknop** (linksboven) en draai vervolgens om de Bass en Treble aan te passen.
6. **Kiezen tussen Mono of Stereo modus (enkel in FM modus)**  
Druk op de **Mono/Stereo toets** om te kiezen tussen FM Mono of FM Stereo.
7. **Anti-Theft-Protection (ATP) Systeem (Pincode slot beveiligingssysteem)**  
Gebruik de **voorkeuze toetsen** (1-10) om een 4-cijferige pincode in te voeren.
8. **Luisteren naar muziek via Bluetooth streaming**  
Muziek via Bluetooth afspelen vanaf een verbonden mobiele telefoon op uw radio.

## EERSTE GEBRUIK VAN DE RADIO

1. Plaats de radio op een vlakke ondergrond.
2. Zet de antenne, die zich bovenop de radio bevindt, rechtop.
3. Steek de stekker in het stopcontact. De radio zal vanzelf opstarten en enkele seconden in de display "WELCOME TO DIGITAL RADIO" aangeven en automatisch het DAB- en FM-frequentiebereik scannen. De display geeft "Scanning" aan voor DAB en "Auto" voor FM.
4. De 10 sterkste FM zenders worden dan in het voorkeuze-geheugen gezet en de beschikbare DAB zenders in de zenderlijst. Na deze eerste scan zal de radio zichzelf uitschakelen en de display geeft de geupdate tijd/datum aan.

Als er geen radiosignaal gevonden werd dan wordt de tijd/datum niet geupdate. Het kan dan nodig zijn om de radio te verplaatsen naar een andere positie met een betere radio-ontvangst.

## DAB MODUS

### Bediening van de radio - DAB

1. Zet de antenne rechtop. Druk op de **Aan/Uit toets** om de radio in te schakelen.
2. Kies de DAB modus door deze te kiezen met de **Audiobron keuzetoets** (Source)
3. De eerste zender (in numerieke-alpha volgorde 0...9,A...Z) in de zenderlijst zal afspelen. De display toont de naam van de zender. Als de radio eerder is gebruikt zal de laatst geselecteerde zender afspelen.
4. Als geen zendersignaal wordt gevonden wordt "No stations available" ("Geen zenders beschikbaar") weergegeven. Het kan dan nodig zijn om de radio te verplaatsen naar een andere positie met een betere radio-ontvangst. U kunt dan een Auto Scan uitvoeren om zenders te zoeken. Zie verderop "**Nieuwe zenders zoeken – DAB**".

### Een zender kiezen – DAB

1. Druk op de **Aan/Uit toets** om de radio in te schakelen.
2. Kies de DAB modus door deze te kiezen met de **Audiobron keuzetoets** (Source)
3. De display geeft aan "Now tuning" gedurende enkele seconden.
4. De display geeft de naam van de zender aan die speelt aan.
5. Draai de **Frequentie draaiknop** om door de lijst van beschikbare zenders te lopen.
6. Als de naam van de gewenste zender verschijnt druk dan op de **Frequentie draaiknop** om de zender te selecteren.

Als na het selecteren de display aangeeft "No stations available" dan kan het nodig zijn de radio te verplaatsen naar een andere positie om ontvangst te krijgen.

### Display modus – DAB

In DAB modus kan de radio diverse informatie aangeven. Druk op de **Info toets** om de diverse informatie te doorlopen.

- |                         |   |
|-------------------------|---|
| a. Lopende tekst        | Geeft mededelingen van de beluisterde zender als doorlopende tekst aan.   |
| b. Signaal sterkte      | Geeft het ontvangen niveau van de signaalsterkte van de zender aan. Het open blokje geeft het minimum signaalniveau aan nodig voor een goede ontvangst. |
| c. Programma type       | Geeft het type programma aan die u hoort, bijv. pop, klassiek, nieuws, enz.   |
| d. Multiplex naam       | Geeft de naam van de multiplex aan waartoe de zender behoort.   |
| e. Kanaal & frequentie  | Geeft het nummer en de frequentie aan van de zender.  |
| f. Bitrate & audio type | Geeft de "audio bitrate" en de "audioformat" van de betreffende uitzending weer.  |
| g. Tijd en datum        | Geeft de actuele tijd en de datum aan.  |

## Nieuwe stations zoeken - DAB

Van tijd tot tijd kunnen er nieuwe zenders beschikbaar zijn. Om deze te vinden:

1. In DAB modus, druk op de **Menu toets**, de display geeft aan "Full scan".
2. Druk op de **Frequentie draaiknop**, de radio scant de frequenties van de DAB Band III. Als er nieuwe zenders gevonden worden dan worden deze toegevoegd aan de zenderlijst.

## Handmatig zenders zoeken – DAB

Handmatig afstemmen geeft u de mogelijkheid om direct zenders te kiezen in de DAB Band III.

1. In DAB modus, druk op de **Menu toets** en draai de **Frequentie draaiknop** tot de display "Manual Tuning" aangeeft. Druk op de **Frequentie draaiknop**.
2. Draai de **Frequentie draaiknop** om de gewenste DAB frequentie te zoeken. Druk op de **Frequentie draaiknop** om deze gewenste frequentie te selecteren.
3. Als een DAB signaal gevonden is toot de display de naam van het station.
4. De signaalsterkte display geeft het ontvangen niveau van de zender aan. Het open blokje geeft het minimum signaalniveau aan nodig voor een goede ontvangst. De signaalsterkte aanduiding verandert mogelijk als u de positieve van de antenne en/of de radio verandert.
5. Herhaal stap 1 tot en met 4 voor alle andere kanalen met nieuwe zenders.
6. Druk twee maal de **Menu toets** om terug te keren naar het standard DAB menu.

## Dynamic Range Control (DRC) instellingen – DAB

DRC kan zachtere geluiden beter hoorbaar maken als de radio in een lawaaierige omgeving gebruikt wordt.

1. In DAB Modus, druk op de **Menu toets**, de display geeft aan "Full scan".
2. Draai de **Frequentie draaiknop** tot de display "DRC value" aangeeft. Druk op de **Frequentie draaiknop**.
3. Draai de **Frequentie draaiknop** tot de gewenste DRC instelling (standaard is Off).
  - i. DRC Off DRC uitgeschakeld.
  - ii. DRC 1/2 DRC niveau op ó van het uitgezonden niveau.
  - iii. DRC 1 DRC volledig weergegeven als uitgezonden.
4. Druk op de **Frequentie draaiknop** om te bevestigen en terug te keren naar het standaard DAB menu.

Opmerking: Niet alle DAB zender gebruiken de DRC functie. Als de zender geen DRC informatie meezendt hebben de DRC instellingen van de radio geen effect

## Zenders snoeien "Prune" – DAB

Als u zich verplaatst naar een ander gebied of land kunnen bepaalde zenders niet meer beschikbaar zijn. Ook kunnen bepaalde zenders stoppen met uitzenden of van frequentie veranderen. De "Prune" ("Snoei") functie verwijderd dan de niet beschikbare zenders uit uw zenderlijst.

1. Druk op de **Menu toets**, de display geeft aan "Full scan".

2. Draai de **Frequentie draaiknop** tot de display "Prune" aangeeft. Druk op de **Frequentie draaiknop**.
3. Draai de **Frequentie draaiknop** om te kiezen tussen "Yes"("Ja") of "No"("Nee") (Standaard is Nee).
4. Druk op de **Frequentie draaiknop** om te bevestigen en terug te keren naar het standaard DAB menu.

**Opmerking:** Als u zich verplaatst naar een ander gebied of land kunt u best ook nieuwe zenders zoeken. Zie hiervoor "Nieuwe zenders zoeken".

## FM MODUS

### Bediening van de radio – FM

#### Automatische zenderzoek functie - FM

1. Druk op de **Aan/Uit toets** om de radio in te schakelen.
2. Kies de FM modus door het drukken op de **Audiobron keuzetoets** (Source).
3. Bij het eerste gebruik zal de zender in voorkeuze-geheugen 1 afgespeeld worden. Als de radio eerder gebruikt werd dan speelt de laatst beluisterde zender af.
4. Druk op de **Frequentie draaiknop** om de zoekfunctie ("scanning") te starten.
5. De radio zoekt en stopt onmiddellijk, wanneer hij een zender met voldoende signaalsterkte vindt.
6. Om een volgende zender te zoeken drukt u opnieuw op de **Frequentie draaiknop**.
7. Om zenders in tegenovergestelde richting te zoeken draait u de **Frequentie draaiknop** met de wijzers van de klok mee (voor het zoeken van lage naar hoge frequentie) of tegen de wijzers van de klok in (voor het zoeken van hoge naar lage frequentie) en drukt dan op de **Frequentie draaiknop**.
8. Wanneer het einde van het frequentiebereik is bereikt, begint de radio opnieuw te zoeken vanaf het tegenovergestelde einde van het frequentiebereik.

#### Manuele afstemming – FM

1. Druk op de **Aan/Uit toets** om de radio in te schakelen.
2. Kies de FM modus door het drukken op de **Audiobron keuzetoets** (Source).
3. Draai de **Frequentie draaiknop** voor het instellen van de gewenste FM zender. De radiofrequentie gaat in stappen van 50 kHz.
4. Draai eventueel de antenne tot u de beste ontvangst bereikt.

#### RDS zender service – FM

RDS (Radio Data System) is een informatiesysteem dat behalve het normale FM radioprogramma onhoorbare digitale informatie meezendt. Wanneer de radio een RDSzender ontvangt en de ontvangst voldoende sterk is, verschijnt de naam van de zender in de LCD display. Het kan even duren tot deze RDS informatie beschikbaar is.

## Oproepen van de RDS-informatie

Wanneer u naar een FM-zender met RDS-systeem luistert, drukt u meermaals op de Info toets om door de RDS-informatie te lopen. Dit functioneert alleen wanneer het niveau van de ontvangst voldoende sterk en helder is.

- Radiotekst (RT) Geeft mededelingen van de beluisterde zenders als doorlopende tekst aan.
- Programma-type (PTY) Geeft het type zender aan die u hoort, bijv. Pop, klassiek, nieuwsberichten, enz.
- Frequentie Geeft de frequentie van de beluisterde zender weer.
- Stereo of Mono Geeft Stereo of Mono weer.
- Signaalsterkte Geeft het ontvangen niveau van de signaalsterkte van de zender aan.
- Tijd & datum Geeft het huidige tijdstip (24-uren klok) en de datum weer.

## Scan gevoeligheid instelling – FM

De radio scant normaal alle FM zenders inclusief diegene met een zwakker signaal. U kunt de scan functie echter ook instellen dat deze alleen de zenders met een sterk signaal voor een goede ontvangst vindt.

- Druk op de **Aan/Uit toets** om de radio in te schakelen.
- Kies de FM modus door het drukken op de **Audiobron keuzetoets (Source)**.
- Druk op de **Menu toets**. De display geeft aan "Scan setting".
- Druk op de **Frequentie draaiknop**.
- Draai de **Frequentie draaiknop** om te selecteren tussen "All stations" ("Alle zenders") of "Strong stations" ("Sterke zenders") Standard instelling is "All stations". De "Strong stations" optie zorgt ervoor dat de radio alleen de sterke zenders vindt bij het scannen.
- Druk op de **Frequentie draaiknop** om te instelling te bevestigen.

## VOORKEUZE ZENDERS INSTELLEN

### Instellen van zenders in het voorkeuze-geheugen

Deze radio beschikt over 20 voorkeuze-geheugens: 10 voor FM en 10 voor DAB. Het voorkeuze-geheugen wordt opgeslagen in de radio ook als de stroombron onderbroken wordt.

- Druk op de **Aan/Uit toets** om de radio in te schakelen.
- Kies de FM of DAB modus door het drukken op de **Audiobron keuzetoets (Source)**.
- Stel de gewenste zender in.
- Houd de gewenste **Voorkeuze toets** ingedrukt tot de radio piept en "saved" ("opgeslagen") aangeeft.
- Herhaal stap 3 en 4 voor de overige voorinstellingen.
- In de voorkeuze-geheugens vooraf ingestelde zenders kunnen op de bovenstaande wijze weer worden overgeschreven.

## Oproepen van zenders uit het voorkeuze-geheugen

- Druk op de **Aan/Uit toets** om de radio in te schakelen.
- Kies de FM of DAB modus door het drukken op de **Audiobron keuzetoets (Source)**.
- Druk kort op de gewenste **Voorkeuze-toets** en de display toont het voorkeuzenummer en de zenderfrequentie.

## HANDMATIG DE KLOK INSTELLEN

De klok kan alleen handmatig worden ingesteld, wanneer de radio is uitgeschakeld. Wanneer er 5 seconden lang geen toetsen worden ingedrukt, verlaat de radio de instellingsmodus van de klok en de instelling wordt gewist.

- Houd de **Frequentie draaiknop** 12 seconden ingedrukt tot de cijfers voor de uren op de display knipperen.
- Draai de **Frequentie draaiknop** om de uren in te stellen.
- Druk de **Frequentie draaiknop** in en de cijfers van de minuten knipperen.
- Draai de **Frequentie draaiknop** om de minuten in te stellen.
- Druk de **Frequentie draaiknop** in ter bevestiging en op de display knippert de dag.
- Draai de **Frequentie draaiknop** om de actuele dag in te stellen.
- Druk de **Frequentie draaiknop** in ter bevestiging en de maand knippert.
- Draai de **Frequentie draaiknop** om de lopende maand in te stellen.
- Druk de **Frequentie draaiknop** in ter bevestiging en op de display knippert het jaar.
- Draai de **Frequentie draaiknop** om het lopende jaar in te stellen.
- Druk de **Frequentie draaiknop** in ter bevestiging en "SYNCLOCK ON" (SYNCLOCK AAN) knippert.
- Draai de **Frequentie draaiknop** voor de keuze van "SYNCLOCK ON" (SYNCLOCK AAN) of "SYNCLOCK OFF" (SYNCLOCK UIT).
- Druk de **Frequentie draaiknop** in ter bevestiging en beëindiging van de instelling.

### RDS tijdsynchronisatie

Wanneer "SYNCLOCK ON" (SYNCLOCK AAN) wordt gekozen, verschijnt het symbool "⌚" in de display. Sommige RDS zenders zenden een tijdsignaal. Wanneer de ontvangst hiervan goed is en u bij de instelling van de tijd de optie "SYNCLOCK ON" (SYNCLOCK AAN) hebt gekozen, wordt de tijd automatisch aangepast ("⌚" knippert in de display). De synchronisatie van de tijd kan enkele minuten duren. De automatische instelling van de klok wordt steeds geactiveerd, wanneer de radio aan is en naar FM modus wordt geschakeld en een RDS zender ontvangt.

## BLUETOOTH MODUS

### Bluetooth koppelen met uw mobiele telefoon

1. Druk op de **Aan/Uit toets** om de radio in te schakelen.
2. Kies de Bluetooth modus door het drukken op **Audiobron keuzetoets** (Source).
3. Op de display wordt "Not connected" ("Niet verbonden") weergegeven wanneer uw radio nog niet is gekoppeld met een mobiele telefoon.
4. Open op uw mobiele telefoon het Bluetooth menu, zoek en selecteer "**PP WorkStation 2**" in de lijst van gevonden Bluetooth apparaten (Bluetooth instellingen kunnen per merk en type mobiele telefoon variëren, lees hiervoor de handleiding van uw mobiele telefoon).
5. Wanneer er succesvol een verbinding tot stand is gebracht, geeft de display op de eerste regel "Bluetooth Connected" weer en op de 2e regel de naam van uw mobiele telefoon gedurende ongeveer 2 seconden.
6. Tot slot wordt op de display van de radio op de 1e regel de naam van de verbonden mobiele telefoon weergegeven.

### Muziek afspelen vanaf uw mobiele telefoon

1. Druk op de **Aan/Uit toets** om de radio in te schakelen.
2. Kies de Bluetooth modus door het drukken op **Audiobron keuzetoets** (Source).
3. Speel de gewenste muziek af vanaf de media spelers van uw gekoppelde mobiele telefoon.
4. Het afspelen van uw muziek kunt u besturen met de **▶||**, **▶▶|** en **|◀◀** toetsen (voorkeuze toetsen 3, 4 en 5) op de radio.
5. Als het afspelen is gestart wordt in de display de muziktitel van het huidige bestand weergegeven.

### Display modes – Bluetooth

In de bluetooth modus kan de radio diverse informatie weergeven van het op dat moment spelende nummer. Druk op **Info toets** om te wisselen tussen de verschillende weergaves.

- |                 |  |
|-----------------|--|
| a. Muziek titel | Weergave van de muziktitel van het huidige bestand.  |
| b. Artiest      | Weergave van de artiestnaam van het huidige bestand.   |
| c. Album        | Weergave van de albumnaam van het huidige bestand.   |
| d. Status       | Weergave van de afspeelstatus. Bijvoorbeeld playing of stopped.  |
| e. Muziek info  | Weergave van het muziekformaat en sample rate van het huidige bestand. Bijvoorbeeld "AAC" als formaat en "44100Hz" als sample rate |
| f. Tijd & datum | Weergave van de huidige tijd en datum.   |

### Device list (Apparaten lijst) – Afspelen vanaf een apparaat waarmee eerder is gekoppeld

Op de radio kunt u in de apparatenlijst een apparaat selecteren om opnieuw mee te verbinden.  
De namen van de gekoppelde apparaten worden weergegeven wanneer deze op het apparaat zijn ingesteld. Raadpleeg hiervoor de handleiding van uw mobiele.

U raadpleegt de apparaten lijst als volgt:

1. Druk in de Bluetooth modus op **Menu toets** om in de instellingen te komen.
2. Draai aan **Frequentie draaiknop** tot de display "Device list" weergeeft. Druk op **Frequentie draaiknop** om te selecteren.
3. Draai aan **Frequentie draaiknop** om door de lijst met namen te gaan.
4. Druk op **Frequentie draaiknop** om opnieuw te verbinden met het geselecteerde apparaat. De radio verbindt automatisch met het gekozen apparaat.

**Opmerking:** Dit apparaat kan tot 8 apparaten onthouden waarmee eerder is gekoppeld. Als er met meer dan 8 apparaten is gekoppeld, dan zal het apparaat waarmee het langst niet is gekoppeld worden gewist uit het geheugen.

**Opmerking:** Wanneer u "**PP WorkStation 2**" uit uw lijst van gekoppelde apparaten op uw mobiele telefoon heeft verwijderd, zult u niet automatisch opnieuw kunnen verbinden.

### Bluetooth koppelen opnieuw starten

De Bluetooth functie kan op verschillende manieren ingesteld worden:

1. In Bluetooth modus, druk op **Menu toets** om naar de instellingen te gaan.
2. Draai aan **Frequentie draaiknop** om "Disconnect BT" te kiezen, en druk op **Frequentie draaiknop** om te bevestigen.
3. De display geeft "Please wait" een aantal seconden weer tijdens het verbreken van de huidige Bluetooth verbinding.
4. De display geeft "Not connected" weer wanneer de radio gereed is voor het maken van een nieuwe Bluetooth verbinding.

**Opmerking:** "Disconnect BT" is de optie om de Bluetooth verbinding met uw mobiele telefoon direct te verbreken. De radio zoekt nu naar een nieuw apparaat om verbinding mee te maken. Indien er geen nieuwe verbinding tot stand wordt gebracht zal de radio automatisch proberen te verbinden met het laatste apparaat, wanneer de radio uit en terug aan wordt geschakeld.

De Auto-Power management-functie wordt geactiveerd in Bluetooth modus. Als er gedurende een periode van meer dan 15 minuten, geen signaal\* binnenkomt, dan zal de radio automatisch overschakelen naar stand-by modus. Als u op On/Off drukt zal de radio terug aan gaan.

\* Ook wanneer het binnenkomende signaal van het externe apparaat te zwak is en niet kan worden gedetecteerd gedurende een periode van meer dan 15 minuten met de Auto-Power management, zal de radio overschakelen naar stand-by modus. Om dit te voorkomen verhoogt u het uitgangsvolume van de externe speler iets tot het voldoende te detecteren is.



## Bluetooth LED instellen

1. Druk op de **Aan/Uit toets** om de radio in te schakelen.
2. Druk op de **Menu toets**, en draai daarna de **Frequentie draaiknop** tot "System" op de display verschijnt.
3. Druk op de **Frequentie draaiknop**; draai daarna de **Frequentie draaiknop** tot "Bluetooth LED" op de display verschijnt.
4. Druk op de **Frequentie draaiknop** om toegang te krijgen tot het Bluetooth LED menu.
5. Draai de **Frequentie draaiknop** om "on" te selecteren (standaard), bij deze instelling blijft het Bluetooth LED branden wanneer er een verbinding is.
6. Of draai de **Frequentie draaiknop** om "off" te selecteren, zodat het Bluetooth LED uitgeschakeld is wanneer er een verbinding is.
7. Druk op de **Frequentie draaiknop** om de keuze te bevestigen.

## EEN MOBIELE TELEFOON OPLADEN

Met de USB stroomuitgang aan de linker zijkant kunt u uw mobiele telefoon opladen met gelijkstroom van 5V/0.5A. Sluit de mobiele telefoon aan op de USB stroomuitgang met een geschikte kabel (niet meegeleverd). De USB stroomuitgang is beschikbaar in alle modi, waaronder tevens de stand-by modus.

Raadpleeg de handleiding van de fabrikant van uw mobiele telefoon om te controleren of uw mobiele telefoon het opladen via USB ondersteunt.

De USB stroomuitgang is alleen geschikt voor geven van gelijkstroom en kan niet worden gebruikt voor bijvoorbeeld het afspelen van muziek vanaf een USB-stick.

**Waarschuwing:** Gebruik de USB stroomuitgang nooit in regenachtige of vochtige omstandigheden om te voorkomen dat vocht in de radio binnenkomt en om zo mogelijke kortsluiting te voorkomen. Houd altijd de rubberen afdekking goed afgesloten in deze omstandigheden.

Het wordt aanbevolen om netstroom te gebruiken voor het opladen van een mobiele telefoon via de USB stroomuitgang. Op batterijen is het ook mogelijk om een mobiele telefoon op te laden via de USB stroomuitgang, maar dan zal de mobiele telefoon veel stroom verbruiken van de batterijen, waardoor deze sneller leeg zullen zijn.

## AUX IN MODUS

Aan de zijkant achter de rubberen afdekking bevindt zich een 3,5 mm stereo **Aux In ingang** voor het aansluiten van een extern audioapparaat zoals bijv. een MP3-speler of een CD-speler (niet meegeleverd bij de radio).

1. Verbind een externe speler met de **Aux in ingang**.
2. Druk op de **Audiobron keuzetoets (Source)** om AUX IN te kiezen. De display geeft "AUX IN" aan.
3. Speel de externe speler af.
4. Stel het volume van zowel de radio als de speler in op het gewenste luisterniveau.

**Opmerking:** Gebruik de AUX-IN ingang nooit in de regen of in een vochtige omgeving om te voorkomen dat er vocht binnendringt in de radio! Hou de rubberen afdekking altijd gesloten in deze omstandigheden.

De Auto-Power management-functie wordt geactiveerd in AUX IN modus. Als er gedurende een periode van meer dan 15 minuten, geen signaal \* via de Aux-In-aansluiting binnenkomt, dan zal de radio automatisch overschakelen naar stand-by modus. Als u op de **Aan/Uit toets** drukt zal de radio terug aan gaan.

\* Ook wanneer het binnenkomende signaal van het externe apparaat te zwak is en niet kan worden gedetecteerd gedurende een periode van meer dan 15 minuten met de Auto-Power management, zal de Handsfree radio overschakelen naar stand-by modus. Om dit te voorkomen verhoogt u het uitgangsvolume van de externe speler iets tot het voldoende te detecteren is.

## LOUDNESS

Druk op de Loudness-toets voor compensatie op de lagere en hogere geluidsfrequenties. Het effect zal het best hoorbaar zijn als de radio is ingesteld op een lager volumeniveau (Dynamic Loudness).

1. Druk op de **Aan/Uit toets** om de radio aan te zetten.
2. Druk op de **Menu toets**, en draai tot "System" op de display verschijnt.
3. Druk op de **Frequentie draaiknop**; draai aan de **Frequentie draaiknop** tot "Loudness" op de display verschijnt.
4. Draai aan de **Frequentie draaiknop** om te kiezen tussen "Loudness On" of "Loudness Off". Druk op de **Frequentie draaiknop** om te bevestigen.

## TOONREGELING

Met de **Toonregeling (Tone)** functie kunnen de lage tonen (Bass) en hoge tonen (Treble) aan uw persoonlijke voorkeur aangepast worden.

1. Druk op de **Aan/Uit toets** om de radio aan te zetten.
2. Druk op de **Volume draaiknop** gedurende 3 sec, de display toont "BASS 0".
3. Draai aan de **Volume draaiknop** om het gewenste Bass niveau in te stellen.
4. Druk op de **Volume draaiknop** om te bevestigen, de display toont "TREBLE 0".
5. Draai aan de **Volume draaiknop** om het gewenste Treble niveau in te stellen.
6. Druk op de **Volume draaiknop** om te bevestigen.

## METALEN TELESCOPISCHE ANTENNE

U kan deze additionele antenne gebruiken op locaties waar het radiosignaal (FM/DAB/DAB+) zwak tot zeer zwak is.

**OPGELET: De standaard geplaatste antenne op de radio is flexibel. Deze metalen telescoop antenne is NIET buigbaar en dient voorzichtig te worden gebruikt. Het breken of buigen van de antenne valt niet onder de garantie.**

Plaatsing: schroef de standaard flexibele antenne eraf. Deze eerst voorzichtig los maken met een steeksleutel (maat 14) – draairichting "tegen de klok in". Schroef de metalen telescopische antenne er voorzichtig op en zet hem zachtjes vast met een steeksleutel (maat 14) – draairichting "met de klok mee".

**LET OP: de antennes niet overmatig vastzetten met de steeksleutel om te voorkomen dat schroefdraad van de antennes afbreekt of beschadigd.**

## TAAL INSTELLEN

Het bedieningsmenu kan worden ingesteld op diverse talen

1. Druk op de **Aan/Uit toets** om de radio in te schakelen.
2. Druk op de **Menu toets** en draai de **Frequentie draaiknop** tot de display "System" toont.
3. Druk op de **Frequentie draaiknop** en draai daarna de **Frequentie draaiknop** tot de display "Language" ("Taal") toont.
4. Druk op de **Frequentie draaiknop** om in het taal-instellingsmenu te gaan.
5. Draai de **Frequentie draaiknop** om de gewenste taal te selecteren. Standaard instelling is Engels.
6. Druk op de **Frequentie draaiknop** om de instelling te bevestigen.

## SOFTWARE VERSIE

De weergave van de software kan niet worden aangepast en is alleen voor uw informatie. U kunt de software versie zien in het DAB en FM menu.

1. Druk op de **Aan/Uit toets** om de radio in te schakelen.
2. Kies de FM of DAB modus door het drukken op de **Audiobron keuzetoets (Source)**.
3. Druk op de **Menu toets** en draai de **Frequentie draaiknop** tot de display "System" toont.
4. Druk op de **Frequentie draaiknop** en draai daarna de **Frequentie draaiknop** tot de display "SW version" toont.
5. Druk op de **Frequentie draaiknop** om de software versie te zien.
6. Druk op de **Frequentie draaiknop** om terug te keren naar de standard radio-menu.

Opmerking: De USB ingang in het batterijen compartiment is voor het eventuele upgraden van de software indien nodig.

## SYSTEEM RESET

Als de radio niet correct functioneert of b.v. de weergave in de display ontbreekt, geheel of gedeeltelijk, voer dan de volgende procedure.

1. Druk op de **Aan/Uit toets** om de radio in te schakelen.
2. Druk op de **Menu toets** and draai de **Frequentie draaiknop** tot de display "System" toont.
3. Druk op de **Frequentie draaiknop** en draai daarna de **Frequentie draaiknop** tot de display "Factory reset" toont.
4. Druk op de **Frequentie draaiknop** en draai daarna de **Frequentie draaiknop** om te selecteren tussen "Yes" ("Ja") en "No" ("Nee")
5. Druk op de **Frequentie draaiknop** om de instelling te bevestigen.
6. Een volledige reset wordt uitgevoerd. Het voorkeuze-geheugen wordt gewist en alle instellingen terug gezet naar de zogenaamde "Fabrieksinstellingen". De display zal "WELCOME TO DIGITAL RADIO" aangeven en automatisch het DAB- en FM-frequentiebereik opnieuw scannen.

In geval van storing ten gevolge van electro-statische ontlading, reset de radio als hierboven beschreven. Als dat niet werkt verwijder de stekker uit het stopcontact en de batterijen en sluit deze daarna weer aan.

## DISPLAY VERLICHTING

### LCD display verlichting instellen

1. Druk op de **Aan/Uit toets** om de radio in te schakelen.
2. Druk op de **Menu toets**, en draai daarna de **Frequentie draaiknop** tot "System" op de display verschijnt.
3. Druk op de **Frequentie draaiknop**; draai daarna de **Frequentie draaiknop** tot "LCD backlight" op de display verschijnt.
4. Druk op de **Frequentie draaiknop** om toegang te krijgen tot het LCD display verlichting menu.
5. Draai de **Frequentie draaiknop** om "on" te selecteren, deze instelling laat de LCD display verlichting altijd aan wanneer de radio is aangesloten op het stroomnet.
6. Of draai de **Frequentie draaiknop** om "off" te selecteren (standaard), met deze instelling blijft de LCD display verlichting 10 seconden aan nadat een knop is ingedrukt wanneer deze is aangesloten op het stroomnet.
7. Druk op de **Frequentie draaiknop** om de keuze te bevestigen.

Opmerking: De LCD display verlichting instelling „on" is alleen van toepassing wanneer de radio is aangesloten op het stroomnet. Wanneer de radio speelt op batterijen zal de instelling automatisch naar „off" gaan, waarbij de LCD display verlichting 10 seconden aan gaat nadat een knop is ingedrukt. Wanneer de radio weer wordt aangesloten op het stroomnet zal de laatst ingestelde instelling worden gebruikt.

## ATP PINCODE BEVEILIGING

Deze radio is uitgerust met een Anti-Theft-Protection systeem (ATP systeem). Wanneer het ATP systeem is geactiveerd, is er een pincode nodig om de radio te kunnen gebruiken.

1. Druk op de **Aan/Uit toets** om de radio aan te zetten.
2. Druk op de **Menu toets**.
3. Draai aan de **Frequentie draaiknop** tot "System" op de display verschijnt. Druk op de **Frequentie draaiknop**.
4. Draai aan de **Frequentie draaiknop** tot "Passcode" op de display verschijnt. Druk op de **Frequentie draaiknop**. "Enable" (Activeren) of "Disable" (Deactiveren) zal getoond worden. Om ATP in te schakelen, draai en druk op de **Frequentie draaiknop** om "Enable" (Activeren) te selecteren.
5. "Change Passcode" zal getoond worden, voer een 4-cijferige pincode in met de voorkeuze toetsen (1-10).
6. "Confirm Passcode" zal getoond worden. Voer een tweede keer dezelfde pincode in om te bevestigen.
7. Om de pincode te deactiveren, selecteert u "Disable", zoals eerder getoond. En voert u de vorige pincode om het ATP slot uit te schakelen.

Wanneer ATP is ingeschakeld en er drie keer een onjuiste pincode wordt ingevoerd, wordt een timer geactiveerd. De volgende poging zal slechts mogelijk zijn nadat de timer is verstreken. De timer zal steeds verlengd worden bij meerdere verkeerde pincodes.

**WAARSCHUWING: Als u ervoor kiest om een pincode in te stellen, bewaar uw pincode dan ergens als geheugensteun. Dit is sterk aangeraden want er is geen enkele manier om de radio te resetten indien de pincode wordt vergeten!**

## RADIO NAAM OPTIE

U kunt de radio voorzien van een zelf in te stellen naam. Wanneer u een naam heeft ingesteld, toont de display deze naam bij het in- en uitschakelen van de radio.

1. Druk op de **Aan/Uit toets** om de radio aan te zetten.
2. Druk op de **Menu toets**, en draai aan de **Frequentie draaiknop** tot "System" op de display verschijnt.
3. Druk op de **Frequentie draaiknop**; draai aan de **Frequentie draaiknop** tot "Name" op de display verschijnt. Druk op de **Frequentie draaiknop**.
4. Draai aan de **Frequentie draaiknop** om de karakters te selecteren. De maximale lengte van de nieuwe naam is 16 karakters.
5. Druk op de **Frequentie draaiknop** om het geselecteerde karakter te bevestigen. Wanneer u drukt op de **Frequentie draaiknop**, zal de cursor naar de volgende positie gaan.
6. Druk op de **P3 / I◀◀ or P4 / ▶▶**knop om de cursor naar links of rechts te verplaatsen.
7. Herhaal stap 4 tot 6 om de naam van de radio in te stellen.
8. Om de aangepaste naam op te slaan en de functie te beëindigen, kunt u alle 16 karakters instellen of druk op de **Menu toets**.
9. Als u klaar bent met het instellen van de naam, geeft de display "Confirm changes" aan op de bovenste regel van de display, op de tweede regel staat "OK" om op te slaan en "Cancel" om aanpassingen ongedaan te maken.
10. Om op te slaan, draai de **Frequentie draaiknop** tot "OK" op de display is geselecteerd, en druk op de **Frequentie draaiknop** om te sluiten. Hiermee is de nieuwe naam van de radio opgeslagen.
11. Om te annuleren, draai de **Frequentie draaiknop** tot "Cancel" op de display verschijnt, en druk op de **Frequentie draaiknop** om af te sluiten. Na deze actie zijn de aanpassingen ongedaan gemaakt en is de vorige naam weer hersteld.
12. De volgende keer dat de radio ingeschakeld wordt, toont de display "Welcome" op de bovenste regel en de ingestelde naam op de tweede regel.
13. Wanneer de radio wordt uitgeschakeld, toont de display "Goodbye" op de bovenste regel en de ingestelde naam op de tweede regel.

### Opmerking:

- Wanneer u tijdens het instellen 20 seconden geen keuze maakt worden de instellingen ongedaan gemaakt en de eerder ingestelde naam hersteld.

- Standaard is de naam niet ingesteld. De door u ingestelde naam zal na een systeem reset verdwijnen.

- De radio ondersteunt een naam tot maximaal 16 karakters.

## GARANTIE

Dit product heeft twee jaar garantie.

### WAARSCHUWING DE GARANTIE VERVALT INDIEN DE BEHUIZING VAN HET APPARAAT GEOPEND IS OF INDIEN HET APPARAAT DOOR DE EINDGEBRUIKER OP ENIGERLEI WIJZE GEMODIFICEERD OF VERANDERD IS.

De voorwaarden van de garantie van deze radio dekken niet de volgende zaken:

- Schade, beschadigingen en breuk veroorzaakt door verkeerd gebruik, misbruik, verwaarlozing, wijzigingen, ongevallen of ongeautoriseerde reparaties.
- Normale gebruiksslijtage.
- Het breken of buigen van de metalen telescopische antenne.
- Batterijen.

## INFORMATIE

### Technische data



Dit apparaat is ontstoord volgens de geldende EUrichtlijnen. Dit product voldoet aan de Europese richtlijnen 2006/95/EG, 2005/32/EG en 2004/108/EG.

Dit apparaat voldoet aan de regelgeving inzake veiligheid DIN EN 60065 (VDE 0860) en dus de internationale regelgeving inzake veiligheid IEC 60065.

Open nooit de behuizing van het apparaat. De fabrikant aanvaardt geen aansprakelijkheid voor schade als gevolg van onjuiste behandeling.

Het typeplaatje bevindt zich aan de onderkant van het apparaat.

### Opmerking over milieubescherming



Dit product werd van kwalitatief hoogwaardige onderdelen en materialen vervaardigd die opnieuw gebruikt en gerecycled kunnen worden.

Verwijder dit product daarom aan het eind van zijn leven niet met het normale huisvuil. Breng het naar een verzamelplaats voor het recyclen van elektronische en elektrische apparaten. Hierop wordt door dit symbool op het product, in de gebruikershandleiding en op de verpakking gewezen.

Informeer u over verzamelplaatsen bij de gemeentelijke instanties. Help door het recyclen van niet meer te gebruiken producten mee aan de bescherming van het milieu.



### Stroombron

Netstroom:  
AC 230 V ~, 50/60Hz

**Batterijen:** 6 x 1,5V (Alkaline maat IEC LR20 / UM-1 / D-maat)

**Batterijen voor back up:** 2 x 1,5V (Alkaline maat LR6 / UM-3 / AA-maat)

### Stroomverbruik (netstroom)

Gebruik: < 33 W  
Standby: < 1 W

### Frequentiebereik

FM 87.5 – 108,0 MHz  
DAB 174,928 – 239,200 MHz

### Bluetooth

Versie 3.0 Ondersteunt Bluetooth profielen A2DP, AVRCP en HFP

### Speaker

Grootte 2 x Ø100mm  
Weerstand 8 ohms

**USB laden** Maximaal 5V, 0.5A

### Uitgangsvermogen

Nominaal 2 x 10W

### Aux in ingang

Ø3,5mm

## INHALTSVERZEICHNIS

WICHTIGE SICHERHEITSVORKEHRUNGEN .....	P.2
GERÄTEÜBERSICHT .....	P.3
STROMVERSORGUNG .....	P.5
ALLGEMEINE FUNKTIONEN .....	P.6
ERSTMALIGER GEBRAUCH DES RADIOS .....	P.7
DAB-MODUS .....	P.8
UKW-MODUS .....	P.11
BLUETOOTH-MODUS .....	P.12
HANDY AUFLADEN .....	P.15
BEDIENUNG DES RADIOS – AUX EIN .....	P.15
LIEBLINGSENDER .....	P.16
UHRZEIT MANUELL EINSTELLEN .....	P.16
LAUTHEIT .....	P.17
TON .....	P.17
ZUSÄTZLICHE TELESKOPANTENNE .....	P.18
SPRACHEEINSTELLUNGEN .....	P.18
SOFTWARE-VERSION .....	P.18
SYSTEMRÜCKSTELLUNG .....	P.19
HINTERGRUNDBELEUCHTUNG .....	P.19
ATP PASSWORT .....	P.20
RADIONAMENOPTION .....	P.21
GARANTIE .....	P.22
INFORMATIONEN .....	P.23

**WARNUNG! DIE GARANTIE WIRD NICHTIG, FALLS DAS GEHÄUSE DES GERÄTS GEÖFFNET ODER DAS ORIGINALGERÄT MODIFIZIERT ODER VERÄNDERT WURDE**



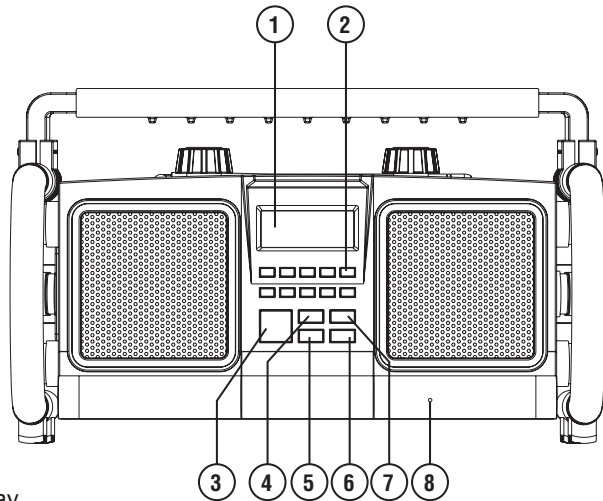
VORSICHT  
STROMSCHLAGGEFAHR  
NICHT ÖFFNEN

## WICHTIGE SICHERHEITSHINWEISE

1. Lesen Sie diese Hinweise.
2. Bewahren Sie diese Hinweise auf.
3. Beachten Sie alle Warnungen.
4. Befolgen Sie alle Anweisungen..
5. Reinigen Sie es nur mit einem trockenen Tuch.
6. Blockieren Sie keine der Belüftungsöffnungen. Stellen Sie es gemäß der Anweisungen auf.
7. Stellen Sie es nicht in der Nähe von Wärmequellen wie Heizkörpern, Lüftungsklappen, Öfen oder anderen Geräten (einschließlich Verstärkern) auf, die Wärme abgeben.
8. Beschädigen Sie nicht den aus Sicherheitsgründen gepolten oder geerdeten Stecker. Ein gepolter Stecker besitzt zwei Kontakte, einer breiter als der andere. Ein geerdeter Stecker besitzt zwei Kontakte und einen dritten Erdungsstift. Der breite Kontakt oder der dritte Stift dienen Ihrer Sicherheit. Wenn der mitgelieferte Stecker nicht in Ihre Steckdose paßt, so wenden Sie sich bitte zum Austausch der veralteten Steckdose an einen Elektriker.
9. Schützen Sie das Stromkabel, damit hierauf nicht gelaufen oder es insbesondere am Stecker, an der Steckdose oder an der Stelle, wo es aus dem Gerät austritt, nicht geknickt wird.
10. Verwenden Sie ausschließlich vom Hersteller angegebene Anbauteile/Zubehör.
11. Verwenden Sie es ausschließlich mit der/dem vom Hersteller angegebenen oder mit dem Gerät verkauften Wagen, Ständer, Dreibein, Klammer oder Tisch. Wenn ein Wagen verwendet wird, so lassen Sie Vorsicht walten beim Bewegen der Kombination aus Wagen und Gerät, um Verletzungen durch Kippen zu vermeiden.
12. Trennen Sie das Gerät bei Gewitter oder wenn es über einen längeren Zeitraum nicht verwendet wird vom Netz.
13. Überlassen Sie jegliche Wartung qualifiziertem Wartungspersonal. Eine Wartung ist erforderlich, wenn das Gerät am Stromkabel oder Stecker beschädigt wurde, wenn Flüssigkeit verschüttet wurde oder Gegenstände ins Gerät gefallen sind, wenn das Gerät Regen oder Feuchtigkeit ausgesetzt war, nicht normal funktioniert oder fallengelassen wurde.
14. Setzen Sie das Gerät weder Regen noch Feuchtigkeit aus, um die Brandgefahr oder das Risiko einen elektrischen Schlages zu reduzieren.
15. Entfernen Sie nicht die Abdeckung. Im Innenbereich befinden sich keine Teile, die durch den Nutzer zu warten wären.
16. Es dürfen keine offene Feuerquellen auf dem Apparat abgestellt werden.
17. Verwenden Sie bei der Benutzung im Freien an Regentagen oder bei feuchtem Wetter zur Vermeidung eines elektrischen Schlages ausschließlich Batterien. Wenn das Radio Regen oder Feuchtigkeit ausgesetzt war, so müssen Anschlusskabel und Stecker zur Vermeidung eines elektrischen Schlages Vollständig getrocknet werden, bevor dieses mit einer Steckdose verbunden wird.
18. Der Netzstecker sollte nahe am Gerät und leicht zugänglich sein, damit im Notfall zur Trennung vom Netz lediglich der Netzstecker aus der Steckdose gezogen werden muss.
19. Das Typenschild befindet sich an der Unterseite des Gerätes.
20. Dieses Apparat ist gegen Spritzwasser geschützt (IP65).
21. Falls das Gerät aufgrund elektrostatischer Entladung oder schneller Stoßspannung nicht mehr richtig funktioniert, ziehen Sie den Netzstecker und schließen das Gerät dann erneut an.
22. Um mögliche Gehörschäden zu vermeiden, setzen Sie sich nicht über längere Zeiträume hohen.

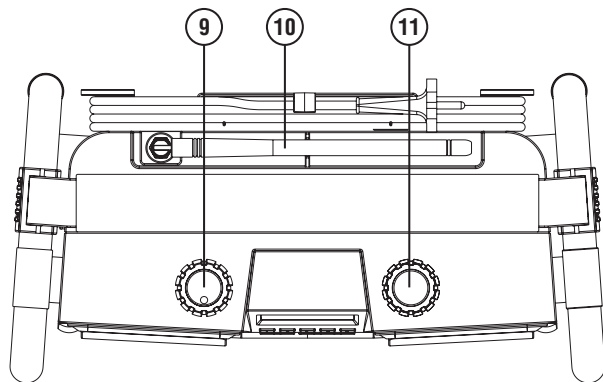


## Vorderansicht



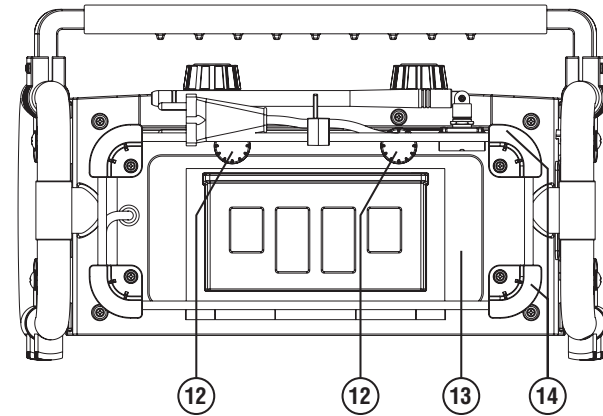
1. LCD-Display
2. Speichertasten (1-10)
3. Ein-/Ausschalttaste
4. Source Taste
5. Menu Taste
6. Info Taste
7. Mono/Stereo Taste
8. Bluetooth LED-Verbindungsanzeige

## Draufsicht



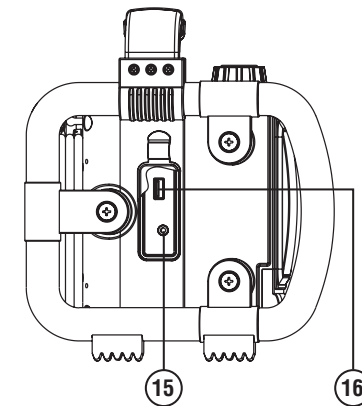
9. Lautstärkeregler
10. Gummi Antenne
11. Tuningregler

## Rückansicht



12. Befestigungen Batterieabdeckung
13. Batteriefach
14. Anschlußkabel-Aufnahme

## Seitenansicht



15. Aux-Ein Buchse und Gummi-Abdeckung
16. USB DC-Ausgang (5V/0,5A)

D

## STROMVERSORUNG

### Batteriebetrieb

1. Zum Öffnen des Batteriefaches drehen Sie zuerst die Befestigungen der Batterieabdeckung entgegengesetzt zum Uhrzeigersinn, um diese zu lösen, und ziehen Sie die Batterieabdeckung herunter.
2. Setzen Sie 6 Batterien der Größe D (UM-1) mit der richtigen Polung ins Batteriefach ein. Schließen Sie die Batterieabdeckung, and ziehen Sie die Befestigungen durch Drehung im Uhrzeigersinn an.
3. Wenn das Gerät für einen längeren Zeitraum nicht verwendet wird, ist es ratsam, die Batterien aus dem Radio herauszunehmen.

Die ungefähre Leistung der Batterien wird auf dem LCD-Display des Radios angezeigt. Wenn die Leistung niedrig ist, erscheint die Anzeige "Battery low!" (Batterie schwach), und das Batteriesymbol auf dem Display blinkt. Die Batterien sollten dann bald ersetzt werden, um weiterhin einen normalen Betrieb des Radios zu gewährleisten.

### Speicher-Batterie

Die Speicher-Batterie dient dazu, die voreingestellten Sender und die Uhrzeit zu speichern.

Es ist auch dann erforderlich, Speicher-Batterien (2 x Größe AA / UM-3) für die Speichersicherung einzulegen, wenn Sie Ihr Gerät nur über Netzbetrieb verwenden. Ohne die Speicherbatterien gehen die Einstellungen für die Uhrzeit und voreingestellte Sender verloren, wenn Sie das Gerät vom Netz trennen, oder wenn es zu einem Stromausfall kommt.

#### Warnung:

Es besteht Explosionsgefahr, wenn die Batterien falsch ersetzt werden. Ersetzen Sie nur durch den gleichen oder einen äquivalenten Typ.

Setzen Sie die Batterien keiner übermäßigen Hitze aus wie beispielsweise durch Sonneneinstrahlung, Feuer oder ähnliches. Batterien sollten nicht durch Verbrennung oder über den Hausmüll entsorgt werden. Einweg-Batterien sollten nach Möglichkeit bei einem entsprechenden Recycling-Zentrum abgegeben werden.

### Netzbetrieb

Bevor Sie das Anschlußkabel mit der Netzsteckdose verbinden, stellen Sie sicher, daß die Spannung korrekt ist. Wenn Sie während des Netzbetriebs Batterien im Radio haben, so werden die Batterien automatisch getrennt.

Die Anschlußkabel-Aufnahme ist zur Aufnahme des Kabels gedacht, wenn das Radio nicht in Betrieb ist.

Anmerkung: Um das Gerät komplett von der Stromversorgung zu trennen, muß der Anschlußstecker vollständig aus der Steckdose gezogen werden.

## ALLGEMEINE FUNKTIONEN

1. **Ein- und ausschalten**  
Drücken Sie die **Ein-/Ausschalttaste**, um das Gerät ein- oder in Standby umzuschalten.
2. **Umschalten zwischen den Modi DAB/FM/Bluetooth/AUX-IN**  
Drücken Sie die **Source Taste**, um zwischen den Modi umzuschalten.
3. **Radiosender einstellen**  
Mit dem **Tuningregler** rechts am Gerät stellen Sie Radiosender ein.
4. **Lautstärke einstellen**  
Stellen Sie die Lautstärke mit dem VOLUME **Lautstärkeregler** links am Gerät ein.
5. **Ton einstellen**  
Drücken und drehen Sie den **Lautstärkeregler** links am Gerät, um Tief- und Hochtöne einzustellen.
6. **Stereo oder Mono einschalten (nur im UKW-Modus)**  
Drücken Sie die **Mono/Stereo Taste**, um zwischen UKW Mono oder UKW Stereo umzuschalten.
7. **Diebstahlsicherung (ATP)**  
Geben Sie mit den **Speichertasten** (1-10) das 4-stellige Passwort ein.
8. **Abspielen von Musik über Bluetooth-Streaming**  
Geben Sie Musik vom gekoppelten Bluetooth-Gerät mit Ihrem Radio wieder.



## ERSTMALIGER GEBRAUCH DES RADIOS

1. Stellen Sie das Radio auf einen flachen Untergrund.
2. Ziehen Sie die Antenne oben am Gerät vorsichtig aus. Richten Sie die Antenne vertikal über dem Radio aus.
3. Schließen Sie das Netzkabel an eine Steckdose (AC) an. Das Radio wird eingeschaltet und im Display erscheint einige Sekunden lang die Anzeige „WELCOME TO DIGITAL RADIO“. Das Radio sucht dann automatisch nach Sendern der Band III DAB und UKW Frequenzbänder. Die Anzeige „Scanning“ erscheint im DAB-Modus und „Auto“ im UKW-Modus.
4. Nach dem Scan werden die 10 stärksten UKW-Sender als Favorit gespeichert. Das Radio schaltet nun in den Standby-Modus über und im Display werden die aktualisierte Uhrzeit und das Datum angezeigt.

Werden keine Signale gefunden, wird die Uhrzeit nicht aktualisiert. Stellen Sie das Radio gegebenenfalls an einen anderen Ort mit besserem Empfang.

## DAB-MODUS

### Radiobetrieb – DAB

1. Ziehen Sie die Antenne vorsichtig aus. Drücken Sie die **Ein-/Ausschalttaste**, um das Radio einzuschalten.
2. Stellen Sie mit der **Source Taste** das Frequenzband DAB ein.
3. Der erste gefundene Sender der Senderliste wird wiedergegeben. Im Display erscheint der Sendername. Falls Sie das Radio bereits früher verwendet haben, schaltet das Gerät den zuletzt angehörten Sender ein.
4. Werden keine DAB-Signale empfangen, erscheint im Display die Anzeige „No stations available“. Stellen Sie das Gerät gegebenenfalls an einen anderen Ort mit besserem Empfang. Führen Sie dann eine automatische Sendersuche durch, siehe Abschnitt **„Neue Sender auffinden - DAB“**.

### Sender einstellen – DAB

1. Schalten Sie das Radio mit der **Ein-/Ausschalttaste** ein.
2. Stellen Sie mit der **Source Taste** das Frequenzband DAB ein.
3. Im Display erscheint einige Sekunden lang die Anzeige „Now tuning“.
4. Im Display wird der Name des aktuellen Senders angezeigt.
5. Drehen Sie den **Tuningregler**, um durch die Liste der verfügbaren Sender zu scrollen.
6. Sobald der gewünschte Sender im Display erscheint, drücken Sie den **Tuningregler**, um den Sender wiederzugeben.

Hinweis: Falls nach der Auswahl eines Senders im Display die Anzeige „No stations available“ erscheint, ist es eventuell erforderlich, das Radio an einen anderen Ort mit besserem Empfang zu stellen.

### Zusätzliche Dienste – DAB

1. Bestimmte Radiosender stellen einen oder mehrere zusätzliche Dienste zur Verfügung. Wenn ein Sender über zusätzliche Dienste verfügt, erscheint der sekundäre Dienst sofort nach dem primären, wenn Sie am **Tuningregler** drehen.
2. Drücken Sie auf den **Tuningregler**, um den sekundären Dienst auszuwählen. Die meisten zusätzlichen Dienste werden nicht permanent ausgestrahlt. Wenn der gewählte Dienst nicht verfügbar ist, wird der Radiosender neu eingestellt, um auf den entsprechenden Hauptdienst zuzugreifen.

## Anzeigeoptionen – DAB

Im DAB-Modus kann das Radio eine Vielzahl von Informationen anzeigen. Drücken Sie die **Info Taste**, um durch die unterschiedlichen Anzeigeoptionen zu scrollen.

- |                          |   |
|--------------------------|---|
| a. Lauftext              | Anzeige von Lauftexten, z.B. Senderinfos, Interpret/ Titelname, Hotline, usw.   |
| b. Signalstärke          | Anzeige der aktuellen Signalstärke. Das leere Rechteck weist auf die Mindestsignalstärke hin, die für einen zufriedenstellenden Empfang erforderlich ist. |
| c. Programmtyp           | Anzeige des aktuellen Sendertyps, z.B. Pop, Klassik, Nachrichten, usw.  |
| d. Multiplex-Name        | Anzeige des Multiplex-Namens, zu dem der aktuelle Sender gehört.  |
| e. Sender & Frequenz     | Anzeige der Sendernummer und Frequenz des aktuell eingestellten DAB-Senders.  |
| f. Bitrate & Audioformat | Anzeige von digitaler Audio-Bitrate und Audioformat.  |
| g. Uhrzeit & Datum       | Anzeige von aktueller Uhrzeit und Datum.  |

## Neue Sender auffinden - DAB

Von Zeit zu Zeit wird es neue Sender geben. Suchen Sie Sender wie folgt:

1. Drücken Sie im DAB-Modus die **Menu Taste**. Im Display erscheint die Anzeige „Full scan“.
2. Drücken Sie **Tuningregler**. Das Radio führt einen Scan aller Band III DAB-Kanäle durch. Wenn neue Sender gefunden werden, erhöht sich der Zähleranzeige rechts im Display und die neuen gefundenen Sender werden der Senderliste des Radios hinzugefügt.

## Manuelle Sendersuche – DAB

Alternativ haben Sie die Möglichkeit, manuell nach Sendern zu suchen. Anstatt das gesamte Band III automatisch zu scannen, können Sie einen Ihnen bekannten DAB-Sender direkt einstellen und alle mit diesem Sender verfügbaren Multiplex-Namen in der Senderliste speichern.

1. Drücken Sie im DAB-Modus die **Menu Taste** und drehen Sie den **Tuningregler**, bis im Display die Anzeige „Manual Tuning“ erscheint. Drücken Sie dann **Tuningregler**.  
Im Display werden der DAB-Sender und die Frequenz angezeigt.
2. Drehen Sie den **Tuningregler**, um den gewünschten Kanal oder die Frequenz zu suchen. Drücken Sie **Tuningregler**, um den ausgewählten Kanal einzuschalten.
3. Wenn auf dem eingestellten Kanal ein DAB-Sender verfügbar ist, wird dessen Name im Display angezeigt. Alle neu gefundenen Sender werden der Senderliste des Radios hinzugefügt.
4. Die im Display angezeigte Signalstärke spiegelt die Empfangsqualität des Senders wider. Das leere Rechteck weist auf die Mindestsignalstärke hin, die für einen zufriedenstellenden Empfang erforderlich ist. Wenn Sie die Antenne ausrichten oder das Radio umstellen, verändert sich die Signalanzeige mit der Signalstärke.

5. Wiederholen Sie die Schritte 1 bis 4, um weitere Kanäle zu suchen.
6. Drücken Sie die **Menu Taste** zweimal, um die manuelle Sendersuche zu beenden und zum normalen DAB-Betrieb zurückzukehren.

## Dynamikbereich-Einstellungen (DRC) – DAB

Die Einstellung des Dynamikbereichs kann leise Töne besser hörbar machen, wenn Sie das Radio in einer lauten Umgebung benutzen.

1. Drücken Sie im DAB-Modus die **Menu Taste** und drehen Sie den **Tuningregler**, bis im Display die Anzeige „DRC value“ erscheint. Drücken Sie dann **Tuningregler**.
2. Drehen Sie den **Tuningregler**, um die gewünschte DRC-Einstellung auszuwählen (AUS ist die Standardeinstellung).  
DRC off     DRC ist deaktiviert, übertragene DRC-Einstellung wird ignoriert.  
DRC high     DRC ist aktiviert und entspricht der Einstellung der Sendung.  
DRC low     DRC beträgt 1/2 der Einstellung der Sendung.
3. Drücken Sie **Tuningregler**, um Ihre Einstellungen zu bestätigen. Das Display kehrt zur normalen Anzeige zurück.

Hinweis: Nicht alle DAB-Sendungen unterstützen die DRC-Funktion. Bei Sendungen, die DRC nicht unterstützen, sind die DRC-Einstellungen des Radios ohne Effekt.

## Sender deaktivieren - DAB

Wenn Sie in einen anderen Teil Ihres Landes ziehen, kann es passieren, dass einige der Sender in der Senderliste nicht mehr verfügbar sind. Unter Umständen können DAB-Sender auch geschlossen werden oder Standort bzw. Frequenz ändern. Mit dieser Funktion können Sie DAB-Sender aus der Senderliste löschen.

1. Betätigen Sie im DAB-Modus die **Menu Taste** und in der Anzeige erscheint "Full Scan".
2. Drehen Sie am **Tuningregler**, bis in der Anzeige "Prune" erscheint.
3. Drücken Sie auf den **Tuningregler**, um das Einstellungsmenü aufzurufen.
4. Drehen Sie am **Tuningregler**, um zwischen "Yes" oder "No" (Standardauswahl ist "No") zu wechseln.  
Wählen Sie "Yes", um diese Funktion bei Bedarf zu aktivieren, andernfalls wählen Sie "No".
5. Drücken Sie auf den **Tuningregler**, um Ihre Einstellung zu bestätigen. Das Gerät geht zurück zur normalen Radioanzeige.

**Hinweis:** Wenn Sie das Radio an einen neuen Standort in einem anderen Teil des Landes bewegt haben, sollten Sie nach Möglichkeit eine Sendersuche durchführen (siehe Abschnitt "Suche neuer Sender - DAB").

## UKW-MODUS

### Radiobetrieb – Sendersuche UKW

1. Schalten Sie das Radio mit der **Ein-/Ausschalttaste** ein.
2. Stellen Sie mit der **Source Taste** den UKW-Modus ein.
3. Schalten Sie den UKW-Modus zum ersten Mal ein, wird der voreingestellte Sender auf Speicherplatz 1 abgespielt. Wurde das Radio bereits früher benutzt, wird der zuletzt angehörte Sender eingeschaltet.
4. Drücken Sie **Tuningregler**, um die Sendersuche zu starten. Die Suche wird automatisch unterbrochen, sobald das Radio einen Sender mit ausreichender Signalstärke gefunden hat.
5. Nach einigen Sekunden wird das Display aktualisiert. Liegen RDS-Daten vor, wird der Sendername angezeigt.
6. Drücken Sie **Tuningregler** erneut, um weitere Sender zu suchen.
7. Um Sender in entgegengesetzter Richtung zu suchen, drehen Sie **Tuningregler** rechts herum (um von den niedrigen zu den hohen Frequenzen zu suchen) oder links herum (um von den hohen zu den niedrigen Frequenzen zu suchen) und drücken Sie dann **Tuningregler**.
8. Am Ende des Wellenbands setzt das Radio die Suche am anderen Ende des Wellenbands fort.

### Manuelle Sendersuche – UKW

1. Schalten Sie das Radio mit der **Ein-/Ausschalttaste** ein.
2. Stellen Sie mit der **Source Taste** den UKW-Modus ein.
3. Drehen Sie **Tuningregler**, um einen UKW-Sender einzustellen. Die Frequenz ändert sich in Schritten von 50 kHz.
4. Drehen Sie die Gummiantenne für einen optimalen Empfang. Falls das Radio einen Sender mit ausreichender Signalstärke und mit verfügbaren RDS-Daten empfängt, dann erscheint im Display der Sendername.
5. Am Ende des Wellenbands setzt das Radio die Suche am anderen Ende des Wellenbands fort.

### RDS-Optionen – UKW

RDS (Radio Data System) ist ein System, bei dem nicht hörbare digitale Informationen zusätzlich zum normalen UKW-Radioprogramm übertragen werden. Falls das Radio einen RDS-Sender mit ausreichender Signalstärke empfängt, erscheint der Sendername im Display. Es kann einige Zeit dauern, bis die RDS-Daten übertragen werden.

### RDS-Daten aufrufen

Drücken Sie, wenn Sie einen UKW-Sender mit RDS-Daten anhören, wiederholt die Taste INFO, um durch die Daten zu scrollen. Dies funktioniert nur, wenn das Signal stark genug und klar ist.

- |                      |   |
|----------------------|---|
| a. Radiotext (RT)    | Anzeige der Nachricht über den aktuell eingestellten Sender als Lauftext. |
| b. Programmtyp (PTY) | Anzeige des jeweiligen Sendertyps, z.B. Pop, Klassik, Nachrichten, usw.   |
| c. Frequenz          | Anzeige der Frequenz des aktuell eingestellten Senders.                   |
| d. Stereo oder Mono  | Anzeige von Mono oder Stereo.   |
| e. Signalstärke      | Anzeige der Signalstärke.   |
| f. Uhrzeit & Datum   | Anzeige von Uhrzeit (24-Stundenformat) und Datum.                         |

### Empfindlichkeit der Sendersuche – UKW

Das Radio sucht normalerweise alle UKW-Sender einschließlich solcher mit schwächerem Signal. Sie können die automatische Sendersuche jedoch auch benutzen, um nur Sender zu finden, deren Signal stark genug für einen guten Empfang ist.

1. Schalten Sie das Radio mit der **Ein-/Ausschalttaste** ein.
2. Stellen Sie mit der **Source Taste** den UKW-Modus ein.
3. Drücken Sie **Menu Taste**. Im Display erscheint „Scan setting“.
4. Drücken Sie **Tuningregler**.
5. Drehen Sie **Tuningregler** zur Auswahl von „All stations“ oder „Strong station“ („All stations“ ist die Standardeinstellung). Mit der Option „Strong station“ sucht das Radio nur nach Sendern mit starkem Signal.
6. Drücken Sie **Tuningregler** zur Bestätigung Ihrer Einstellungen. Das Display kehrt zur normalen Radioanzeige zurück.

## BLUETOOTH-MODUS

### Koppeln von Bluetooth mit Ihrem Mobiltelefon

1. Drücken Sie der **Ein/Ausschalttaste**, um das Radio einzuschalten.
2. Wählen Sie den Bluetooth-Modus aus, indem Sie die **Source Taste** drücken.
3. Auf dem LCD-Display wird „Nicht verbunden“ angezeigt, wenn das Radio noch nicht mit Ihrem Mobiltelefon gekoppelt ist.
4. Öffnen Sie bei Ihrem Mobiltelefon das Einstellungs Menü und wählen Sie Bluetooth aus. Wählen Sie anschließend in der Liste der Bluetooth-Geräte Ihres Mobiltelefons **„PP WorkStation 2“** aus (die Anleitung zur Bluetooth-Kopplung kann sich je nach Mobiltelefon unterscheiden; lesen Sie in der Bedienungsanleitung Ihres Mobiltelefons nach).
5. Nach erfolgreicher Bluetooth-Kopplung wird etwa 2 Sekunden lang in der ersten Zeile des LCD-Displays „BT verbunden“ angezeigt und in der zweiten Zeile der Name Ihres Mobiltelefons.
6. Schließlich wird zur Angabe des mit dem Radio verbundenen Geräts in der ersten Zeile des LCD-Displays der Name des verbundenen Mobiltelefons angezeigt.

### Wiedergabe von Musik auf Ihrem Mobiltelefon

1. Drücken Sie die Ein/Ausschalttaste, um das Radio einzuschalten.
2. Wählen Sie den Bluetooth-Modus aus, indem Sie die **Source Taste** drücken.

3. Starten Sie die Musikwiedergabe über die Mediaplayer des gekoppelten Mobiltelefons.
4. Sie können die Wiedergabe direkt am Handy oder mit den Tasten ►||, ►►I und I◄◄ (Speichertasten 3, 4 und 5) am Radio steuern.
5. Nachdem die Musikwiedergabe gestartet wurde, wird der Titel des Liedes auf dem LCD-Display angezeigt.

### Display-Modi – Bluetooth

Im Bluetooth-Modus kann das Radio auf dem Display Informationen zur gerade wiedergegebenen Musik anzeigen. Drücken Sie die Taste INFO, um die verschiedenen Typen anzuzeigen.

- |                            |   |
|----------------------------|---|
| a. Title (Titel)           | Zeigt den Titel des gerade abgespielten Musikstücks über das Display laufend an.  |
| b. Artist (Interpret)      | Zeigt den Namen des Interpreten des gerade abgespielten Musikstücks an.   |
| c. Album                   | Zeigt den Namen des Albums des gerade abgespielten Musikstücks an.  |
| d. Status                  | Zeigt den Wiedergabestatus an. Z. B. „Playing“ („Wird abgespielt“), „Stopped“ („Angehalten“).   |
| e. Music Info (Musik-Info) | Zeigt das Musikformat und die Samplingrate des gerade abgespielten Musikstücks an. Z. B. „AAC“ ist das Format des Musikstücks; „44100 Hz“ ist die Samplingfrequenz des Musikstücks. |
| f. Uhrzeit und Datum       | Zeigt die aktuelle Uhrzeit und das aktuelle Datum an.   |

### Geräteliste – Mit dem gekoppelten Gerät verbinden

Am Radio können Sie das Bluetooth-Gerät aus der Geräteliste auswählen, um die Verbindung erneut herzustellen.

Die Gerätenamen werden angezeigt, wenn der Name der Bluetooth-Geräte in den Mobilgeräten konfiguriert wurde. Zu den Konfigurationen siehe die Bedienungsanleitung Ihres Mobilgeräts.

Die Geräteliste kann wie folgt überprüft werden:

1. Drücken Sie im Bluetooth-Modus die **Menu Taste**, um auf die Systemeinstellungen zuzugreifen.
2. Drehen Sie **Tuningregler**, bis die Geräteliste angezeigt wird; drücken Sie **Tuningregler**, um die Einstellung auszuwählen.
3. Drehen Sie **Tuningregler**, um den Namen der Geräte anzuzeigen.
4. Drücken Sie **Tuningregler**, um die Wiederherstellung der Bluetooth-Verbindung zu starten. Der Lautsprecher wird automatisch mit diesem ausgewählten Mobilgerät verbunden.

Hinweis: In der Geräteliste können bis zu 8 Gerätenamen gespeichert werden. Wenn Sie mehr als 8 Mobilgeräte in der Geräteliste speichern, wird der Name des zuerst gekoppelten Geräts gelöscht.

Hinweis: Wenn Sie „**PP WorkStation 2**“ auf Ihrem Mobiltelefon gelöscht haben, ist die automatische Neuverbindung erfolglos.

### Neustart der Bluetooth-Kopplung

Die Bluetooth-Funktion kann für verschiedene Funktionsweisen eingestellt werden, siehe unten:

1. Drücken Sie im Bluetooth-Modus die **Menu Taste**, um auf die Systemeinstellungen zuzugreifen.
2. Drehen Sie **Tuningregler**, um die Option „Disconnect BT“- („BT trennen“) auszuwählen, und drücken Sie dann **Tuningregler**, um die Einstellung auszuwählen.
3. Das LCD-Display zeigt jetzt einige Sekunden lang „Please wait“ („Bitte warten“) an, um die aktuelle Verbindung mit dem Mobiltelefon zu trennen.
4. Das LCD-Display zeigt „Not connected“ („Nicht verbunden“) an und das Bluetooth des Radios ist für die Verbindung mit einem anderen Mobiltelefon bereit, da es jetzt im Erkennungsmodus ist.

**Hinweis:** „Disconnect BT“ („BT trennen“) ist die Option, die das Bluetooth dieses Radios von Ihrem Mobiltelefon trennt und den „Erkennungsmodus“ aktiviert. Dadurch wird die Bluetooth-Kopplung mit einem anderen Gerät ermöglicht. Wenn kein anderes Gerät gekoppelt wird, versucht die Bluetooth-Funktion automatisch, die Verbindung zum letzten Gerät wiederherzustellen, wenn sie aus- und dann wieder eingeschaltet wird.

Die automatische Energiesparfunktion wird im Bluetooth-Modus aktiviert. Wird über 15 Minuten lang kein Signal\* empfangen, wechselt das Radio automatisch in den Standby-Modus. Durch Drücken der **Ein/Aus Taste** wird das Gerät wieder aktiviert.

\*Auch dann, wenn das eingehende Signal vom externen Gerät zu schwach ist und über 15 Minuten lang von der automatischen Energiesparfunktion nicht erkannt werden kann, schaltet das Radio in den Standby-Modus. Erhöhen Sie, um dies zu verhindern, den Ausgangspegel des externen Geräts so weit, dass das Signal erkannt werden kann.

### Bluetooth-LED-Konfiguration

1. Betätigen Sie die **Ein-/Ausschalttaste**, um das Radio einzuschalten.
2. Betätigen Sie die **Menu Taste**, und drehen Sie dann den **Tuningregler**, bis das Display „System“ anzeigt.
3. Drücken Sie auf den **Tuningregler**, und drehen Sie ihn, bis das Display „Bluetooth LED“ anzeigt.
4. Drücken Sie auf den **Tuningregler**, um das Menü für die Anpassung der Bluetooth-LED aufzurufen.
5. Drehen Sie den **Tuningregler**, um „on“ (Standard) auszuwählen, damit die Bluetooth-LED immer leuchtet, wenn eine Verbindung besteht.
6. Oder drehen Sie den **Tuningregler**, um „off“ auszuwählen, damit die Bluetooth-LED deaktiviert wird, wenn eine Bluetooth-Verbindung hergestellt wurde.
7. Drücken Sie auf den **Tuningregler**, um Ihre Auswahl zu bestätigen.

## HANDY AUFLADEN

Der USB-Port links am Gerät bietet 5V/0,5A DC-Strom zum Aufladen eines Handys. Schließen Sie das Handy mit einem geeigneten Kabel (nicht im Lieferumfang enthalten) an den USB-Port an. Die USB-Stromversorgung ist in allen Modi, einschließlich Standby, verfügbar.

Bitte informieren Sie sich in der Bedienungsanleitung Ihres Handys, ob es per USB-Stromversorgung aufgeladen werden kann.

Der USB-Port bietet nur DC-Strom und ist nicht geeignet, Musik z.B. von USB-Geräten abzuspielen.

Warnung: Verwenden Sie den USB-Port nicht bei Regen oder unter feuchten Bedingungen, damit keine Feuchtigkeit in das Radio eindringen und dadurch ein Kurzschluss verursacht werden kann. Halten Sie die Gummiabdeckung unter solchen Bedingungen immer gut verschlossen.

Zum Aufladen von Handys via USB-Port sollten Sie Wechselstrom verwenden. Der Anschluss an ein Gleichstromnetz zum Aufladen des Handys per USB-Port ist zwar auch möglich, führt jedoch dazu, dass Batteriestrom verbraucht und die Batterien dadurch schneller leer werden.

## BEDIENUNG DES RADIOS – AUX EIN

An der Seite hinter der Gummi-Abdeckung findet sich eine 3,5mm Stereo Aux Ein Buchse zum Anschluss eines externen Audiogerätes wie z.B. eines MP3-Spielers oder eines CD-Abspielers.

1. Verbinden Sie eine Stereo- oder Mono-Audioquelle mit der Aux Ein Buchse.
2. Drücken Sie den Auswahl-Knopf, um AUX Input (AUX Eingang) auszuwählen. Das Display zeigt "AUX IN" (AUX EIN).
3. Spielen Sie den externen Spieler ab.
4. Stellen Sie die Lautstärke sowohl des Radios als auch des Spielers auf ein angenehmes Hören ein.

Hinweise: Verwenden Sie den Aux-Eingang nicht bei Regen oder unter feuchten Bedingungen, damit keine Feuchtigkeit in das Radio eindringen kann. Halten Sie die Gummiabdeckung unter solchen Bedingungen gut verschlossen.

Im AUX-IN-Modus wird der automatische Stromsparmodus aktiviert. Erfolgt am Aux-Eingang innerhalb von 15 Minuten keine Signaleingabe\*, schaltet das Handsfree Radio automatisch den Standby-Modus ein. Drücken Sie die Ein-/Ausschalttaste, um das Gerät wieder einzuschalten.

\* Der Standby-Modus wird auch dann aktiviert, wenn das eingehende Signal vom externen Gerät zu schwach ist und vom Stromsparmodus über einen Zeitraum von 15 Minuten nicht erkannt wird.

Um dies zu verhindern, erhöhen Sie den Ausgangspegel des externen Geräts entsprechend, um erkannt zu werden.

## LIEBLINGSENDER

### Sender als Favorit speichern

Sie können bis zu 20 Radiosender speichern – 10 DAB-Sender und 10 UKW-Sender. Die Speichereinstellungen werden auch bei einem Stromausfall beibehalten.

1. Schalten Sie das Radio mit der **Ein-/Ausschalttaste** ein.
2. Stellen Sie mit **Source Taste** das gewünschte Wellenband ein.
3. Stellen Sie den gewünschten Radiosender ein.
4. Halten Sie die entsprechende **Speichertaste** gedrückt, bis das Radio einmal piept und im Display die Anzeige „Saved“ erscheint.
5. Wiederholen Sie die Schritte 3 und 4 für weitere Sender.
6. Bereits gespeicherte Sender können durch Befolgen obiger Vorgehensweise überschrieben werden.

### Gespeicherte Radiosender einschalten

1. Schalten Sie das Radio mit der **Ein-/Ausschalttaste** ein.
2. Stellen Sie mit **Source Taste** das gewünschte Wellenband ein.
3. Drücken Sie kurz die gewünschte Speichertaste. Im UKW-Modus erscheint z.B. oben rechts im Display die Anzeige „P1“.

## UHRZEIT MANUELL EINSTELLEN

Die Uhrzeit lässt sich manuell nur einstellen, wenn sich das Radio im Standby-Modus befindet. Wenn Sie innerhalb von 5 Sekunden keine Taste drücken, verlässt das Radio die Uhrzeiteinstellung und Ihre Einstellungen werden gelöscht.

1. Halten Sie **Tuningregler** 12 Sekunden lang gedrückt, bis die Stundenanzeige im Display blinkt.
2. Drehen Sie **Tuningregler** zur Einstellung der Stunden.
3. Drücken Sie **Tuningregler** zum Bestätigen. Die Minutenanzeige beginnt zu blinken.
4. Drehen Sie **Tuningregler** zur Einstellung der Minuten.
5. Drücken Sie **Tuningregler** zum Bestätigen. Die Tagesanzeige beginnt zu blinken.
6. Drehen Sie **Tuningregler** zur Einstellung des Datums.
7. Drücken Sie **Tuningregler** zur Bestätigung. Die Monatsanzeige beginnt zu blinken.
8. Drehen Sie **Tuningregler** zur Einstellung des Monats.
9. Drücken Sie **Tuningregler** zum Bestätigen. Die Jahresanzeige beginnt zu blinken.
10. Drehen Sie **Tuningregler** zur Einstellung des Jahres.
11. Drücken Sie **Tuningregler** zum Bestätigen. Im Display blinkt die Anzeige „SYNCKLOCK ON“.
12. Drehen Sie **Tuningregler** zur Auswahl von „SYNCKLOCK ON“ oder „SYNCKLOCK OFF“.
13. Drücken Sie **Tuningregler**, um Ihre Auswahl zu bestätigen und um die Uhrzeiteinstellung zu beenden.

## Synchronisation der RDS-Zeit

Bei der Auswahl der Option „SYNCLOCK ON“ erscheint im Display die Anzeige „⌚“. Einige RDS-Sender übertragen ein Zeitsignal. Falls der Empfang gut ist und Sie während der Einstellung der Uhrzeit die Option „SYNCLOCK ON“ ausgewählt haben, wird die Uhrzeit automatisch aktualisiert („⌚“ blinkt im Display). Die Synchronisation der Zeit kann einige Minuten dauern. Die automatische Uhrzeiteinstellung ist immer aktiviert, wenn Sie vom Standby-Modus aus UKW-Sender mit RDS-Übertragung einschalten.

## LAUTHEIT

Die Lautheit-Funktion ermöglicht die Kompensation auf niedrigen und hohen Frequenzen. Der Effekt ist besser hörbar, wenn am Radio eine niedrigere Lautstärke (dynamische Lautheit) eingestellt ist.

1. Schalten Sie das Radio mit der **Ein-/Ausschalttaste** ein.
2. Drücken Sie die **Menu Taste** und drehen Sie anschließend **Tuningregler**, bis im Display die Anzeige „System“ erscheint.
3. Drücken Sie **Tuningregler**. Drehen Sie **Tuningregler**, bis im Display die Anzeige „Loudness“ erscheint.
4. Drehen Sie **Tuningregler** zur Auswahl von „Loudness On“ oder „Loudness Off“. Drücken Sie **Tuningregler**, um Ihre Auswahl zu bestätigen und zur normalen Anzeige zurückzukehren.

## TON

Mit der **Ton**-Funktion können Sie niedrige und höhere Tonfrequenzen konfigurieren.

1. Schalten Sie das Radio mit der **Ein-/Ausschalttaste** ein.
2. Drücken Sie den **Lautstärkeregl** während 3 sec. Im Display erscheint die Anzeige „BASS 0“.
3. Drehen Sie den **Lautstärkeregl**, um den Bass entsprechend einzustellen.
4. Drücken Sie den **Lautstärkeregl** zum Bestätigen. Im Display erscheint die Anzeige „TREBLE 0“.
5. Drehen Sie den **Lautstärkeregl**, um den Hochton entsprechend einzustellen.
6. Drücken Sie den **Lautstärkeregl**, um Ihre Einstellungen zu bestätigen und zur normalen Anzeige zurückzukehren.

## ZUSÄTZLICHE TELESKOPANTENNE

Verwenden Sie diese Antenne an Orten oder in Gegenden mit schwachem oder sehr schwachem Radioempfang (UKW/DAB/DAB+).

**ACHTUNG: Die Standardantenne des Radios ist flexibel. Die Teleskopantenne ist nicht flexibel und lässt sich nicht knicken und sollte daher vorsichtig verwendet werden. Gebrochene oder geknickte Antennen fallen nicht unter die Garantie.**

Installation: Schrauben Sie die flexible Standardantenne vorsichtig ab. Lockern Sie die Antenne zunächst vorsichtig mit einem Maulschlüssel (Größe 14) – links herum drehen. Schrauben Sie die Teleskopantenne an und ziehen diese vorsichtig mit einem Maulschlüssel (Größe 14) fest – rechts herum drehen.

**ACHTUNG: Wenden Sie beim Anschluss der Antennen nicht zu viel Kraft an, um nicht das Gewinde der Antenne zu beschädigen oder die Antenne abzubrechen.**

## SPRACHEEINSTELLUNGEN

Sie haben die Möglichkeit, unterschiedliche Menüsprachen für das Radio einzustellen.

1. Schalten Sie das Radio mit der **Ein-/Ausschalttaste** ein.
2. Drücken Sie **Menu Taste** und drehen Sie dann **Tuningregler**, bis im Display die Anzeige „System“ erscheint.
3. Drücken Sie **Tuningregler**. Drehen Sie **Tuningregler**, bis im Display die Anzeige „Language“ erscheint.
4. Drücken Sie **Tuningregler** zum Öffnen des Sprachenmenüs.
5. Drehen Sie **Tuningregler** zur Auswahl der gewünschten Sprache (Englisch ist die Standardeinstellung).
6. Drücken Sie **Tuningregler** zum Bestätigen. Das Menü wird nun in der ausgewählten Sprache angezeigt.

## SOFTWARE-VERSION

Die Anzeige der Software-Version kann nicht geändert werden und dient nur Ihrer Information. Die Software-Version lässt sich nur in den Modi DAB und UKW anzeigen.

1. Schalten Sie das Radio mit der **Ein-/Ausschalttaste** ein.
2. Schalten Sie mit **Source Taste** den UKW- oder DAB-Modus ein.
3. Drücken Sie **Menu Taste**, bis im Display die Anzeige „Full Scan“ erscheint. Drehen Sie dann **Tuningregler**, bis im Display „System“ angezeigt wird.
4. Drücken Sie **Tuningregler**. Drehen Sie **Tuningregler**, bis im Display die Anzeige „SW version“ erscheint.
5. Drücken Sie **Tuningregler**, um die Software-Version anzuzeigen.
6. Drücken Sie **Tuningregler**, um zum vorhergehenden Menü zurückzukehren und drücken Sie **Menu Taste**, um zur normalen Radioanzeige zu gelangen.

## SYSTEMRÜCKSTELLUNG

Falls Ihr Radio nicht ordnungsgemäß funktioniert oder Anzeigen im Display fehlen bzw. unvollständig sind, führen Sie bitte wie folgt eine Rückstellung durch.

1. Schalten Sie das Radio mit der **Ein-/Ausschalttaste** ein.
2. Drücken Sie die **Menu Taste** und drehen Sie **Tuningregler**, bis im Display die Anzeige „System“ erscheint. Drücken Sie dann **Tuningregler**.
3. Drehen Sie **Tuningregler**, bis im Display die Anzeige „Factory reset“ erscheint. Drücken Sie dann **Tuningregler**.
4. Drehen Sie **Tuningregler** zur Auswahl von „Yes“ oder „No“. Wählen Sie „Yes“ für die Rückstellung oder „No“, falls Sie das System nicht zurückstellen möchten.
5. Drücken Sie **Tuningregler**, um die Rückstellung zu starten.
6. Das System führt eine vollständige Rückstellung durch. Alle Favoriteneinstellungen und die Senderliste werden gelöscht. Alle Einstellungen werden auf die Werkseinstellungen zurückgesetzt. Im Display erscheint einige Sekunden lang die Anzeige „WELCOME TO DIGITAL RADIO“ und dann führt das Radio einen Scan nach Band III DAB-Kanälen und UKW-Sendern durch. Im Display erscheint die Anzeige „Scanning“ für DAB-Kanäle und „Auto“ für UKW-Sender.

Bei Fehlfunktion aufgrund elektrostatischer Entladung führen Sie eine Rückstellung wie oben beschrieben durch, um den normalen Betrieb wiederherzustellen. Falls Sie die Rückstellung wie oben beschrieben nicht durchführen können, ist es erforderlich, alle Batterien zu entfernen und den Netzstecker zu ziehen und anschließend wieder einzulegen bzw. anzuschließen.

## HINTERGRUNDBELEUCHTUNG

### Konfiguration der LCD-Hintergrundbeleuchtung

1. Betätigen Sie die **Ein-/Ausschalttaste**, um das Radio einzuschalten.
2. Betätigen Sie die **Menu Taste**, und drehen Sie dann den **Drehknopf**, bis das Display „System“ anzeigt.
3. Drücken Sie auf den **Tuningregler**; drehen Sie den **Tuningregler**, bis das Display „LCD backlight“ anzeigt.
4. Drücken Sie auf den **Tuningregler**, um das Menü für die Anpassung der LCD-Hintergrundbeleuchtung aufzurufen.
5. Drehen Sie den **Tuningregler**, um „on“ auszuwählen, damit die Hintergrundbeleuchtung immer aktiv ist, wenn das Radio per Netzbetrieb läuft.
6. Oder wählen Sie mit dem **Tuningregler** „off“ (Standard), so dass die Hintergrundbeleuchtung 10 Sekunden lang aktiv ist, wenn bei Netzbetrieb eine Taste betätigt wird.
7. Drücken Sie auf den **Tuningregler**, um Ihre Auswahl zu bestätigen.

Hinweis: Die LCD-Hintergrundbeleuchtungsoption „on“ ist nur verfügbar, wenn das Radio im Netzbetrieb läuft. Wenn das Radio per Akku betrieben wird, ist diese Option auf „off“ gesetzt – 10 Sekunden Beleuchtung, wenn eine Taste betätigt wird. Wenn das Radio wieder mit dem Stromnetz verbunden wird, wird die letzte Benutzereinstellung wieder aktiviert.

## ATP PASSWORT

Dieses Radio verfügt über eine Diebstahlsicherung (ATP). Ist ATP aktiviert, müssen Sie zum Einschalten des Radios ein Passwort eingeben.

1. Schalten Sie das Radio mit der **Ein-/Ausschalttaste** ein.
2. Drücken Sie die **Menu Taste**.
3. Drehen Sie **Tuningregler**, bis im Display die Anzeige „System“ erscheint. Drücken Sie dann **Tuningregler**.
4. Drehen Sie **Tuningregler**, bis im Display die Anzeige „Passcode“ erscheint. Drücken Sie dann **Tuningregler**. Im Display erscheint „Enable“ oder „Disable“. Um ATP zu aktivieren, drehen und drücken Sie **Tuningregler** zur Auswahl von „Enable“.
5. Im Display erscheint die Anzeige „Change Passcode“. Geben Sie mit den **Speichertasten** (1-10) ein 4-stelliges Passwort ein.
6. Im Display erscheint „Confirm Passcode“. Geben Sie das Passwort zur Bestätigung ein zweites Mal ein.
7. Um ATP zu deaktivieren, wählen Sie in der vorherigen Anzeige „Disable“ und geben dann das alte Passwort ein, um die Funktion aufzuheben.

Falls bei aktivierter ATP-Funktion dreimal ein falsches Passwort eingegeben wird, startet ein Timer. Der nächste Eingabeversuch ist erst nach Ablauf des Timers möglich. Mit jeder weiteren falschen Eingabe des Passworts erhöht sich der Timer.

**WARNUNG:** Falls Sie die Passwortfunktion aktivieren, sollten Sie das Passwort an einem sicheren Ort aufbewahren, wie z.B. auf einem Speicherstick. Wir empfehlen Ihnen diese Maßnahme dringend, denn das Radio lässt sich bei Passwortverlust nicht mehr zurücksetzen!

D

## RADIONAMENOPTION

Diese Radio unterstützt benutzerdefinierte Radionamen. Wenn das Radio über einen benutzerdefinierten Radionamen verfügt, so wird dieser beim Ein- und Ausschalten des Radios angezeigt.

1. Betätigen Sie der **Ein-/Ausschalttaste** zum Einschalten des Radios.
2. Betätigen Sie die Taste **Menu Taste** und drehen Sie dann am **Tuningregler**, bis "System" in der Anzeige erscheint.
3. Drücken Sie **Tuningregler**. Drehen Sie am **Tuningregler**, bis in der Anzeige "Name" erscheint. Drücken Sie auf **Tuningregler**.
4. Drehen Sie **Tuningregler** zur Auswahl der Buchstaben. Die maximale Länge des benutzerdefinierten Namens ist 16 Buchstaben.
5. Drücken Sie **Tuningregler** zur Bestätigung Ihrer Auswahl. In dem Moment, in dem Sie auf den **Tuningregler** drücken, wird der Cursor auf die nächste Auswahlposition gesetzt.
6. Benutzen Sie die Tasten **P3 / I◀◀** oder **P4 / ▶▶I**, um den Cursor nach links oder rechts zu bewegen.
7. Wiederholen Sie die Schritte 4 bis 6, um den benutzerdefinierten Radionamen zu bearbeiten.
8. Um den benutzerdefinierten Radionamen zu vervollständigen, brauchen Sie lediglich alle 16 Buchstaben eingeben oder die **Menu Taste** betätigen.
9. Wenn Sie den Radionamen fertig bearbeitet haben, erscheint die Meldung "Confirm changes" in der ersten Zeile der LCD-Anzeige. Wenn Sie die Änderungen speichern erscheint "OK" und "Cancel" erscheint, wenn Sie die Änderungen verwerfen.
10. Um die Änderungen zu bestätigen, drehen Sie **Tuningregler**, bis "OK" in der Anzeige erscheint und drücken Sie dann **Tuningregler** zum Verlassen der Bearbeitungsfunktion. Damit übernimmt das Radio dann seinen benutzerdefinierten Namen.
11. Um die Änderungen zu verwerfen, drehen Sie **Tuningregler**, bis "Cancel" in der Anzeige erscheint und drücken Sie dann **Tuningregler** zum Verlassen der Bearbeitungsfunktion. Damit werden die Änderungen verworfen und das Radio behält seinen vorigen Anzeigenamen.
12. Das nächste Mal, wenn Sie das Radio einschalten, erscheint in der ersten Anzeigzeile die Meldung "Welcome" und der neue Name in der zweiten Anzeigzeile.
13. Wenn Sie das Radio ausschalten, erscheint in der ersten Anzeigzeile die Meldung "Goodbye" und der neue Name in der zweiten Anzeigzeile.

### Anmerkungen:

- Wenn für mehr als 20 Sekunden im Bearbeitungsmenü keine Taste betätigt wird, verlässt das Radio das Menü automatisch, ohne dabei bereits gemachte Änderungen zu speichern.

- Der Standardname des Radios ist leer. Der benutzerdefinierte Name geht verloren und wird durch den Standardnamen (kein Name) ersetzt, wenn ein Systemreset durchgeführt wird.

- Das Radio unterstützt maximal 16 Buchstaben für den Namen des Radios.

## GARANTIE

Dieses Gerät kommt mit einer 2-jährigen eingeschränkten Garantie.

**WARNUNG! Die Garantie wird nichtig, falls die Abdeckung geöffnet und das Gerät modifiziert oder verändert wurde!**

Die Garantie des Radios erstreckt sich nicht auf folgendes:

- Schäden aufgrund falscher Nutzung, Missbrauch, Fahrlässigkeit, Unfällen, Änderungen oder nicht genehmigter Reparaturen.
- Normale(r) Abnutzung und Verschleiß.
- Die Teleskopantenne wurde gebrochen oder geknickt.
- Batterien.



## INFORMATIONEN

### Technische Daten



Dieses Gerät ist gemäß geltenden EU-Richtlinien geräuschgedämpft. Das Produkt entspricht den Europäischen Richtlinien 2006/95/EC, 2005/32/EC und 2004/108/EC. Dieses Gerät entspricht der Sicherheitsnorm DIN EN 60065 (VDE 0860) und somit der internationalen Sicherheitsnorm IEC 60065. Das Gehäuse des Geräts darf unter keinen Umständen geöffnet werden. Der Hersteller haftet nicht für Schäden aufgrund unsachgemäßer Nutzung. Das Typenschild befindet sich an der Unterseite des Geräts.

### Umweltgerechte Entsorgung



Dieses Produkt besteht aus hochwertigen Teilen und Materialien, die wiederverwertet und recycelt werden können. Entsorgen Sie das Gerät nicht über den normalen Haushaltsmüll. Geben Sie es an einer Sammelstelle für das Recycling von elektrischen und elektronischen Geräten ab. Dieses Symbol auf dem Gerät, in der Bedienungsanleitung und auf der Verpackung weist auf diese Art der Entsorgung hin. Informieren Sie sich auf Ihrer Gemeinde über örtliche Sammelstellen. Recyceln Sie Altgeräte, um die Umwelt zu schützen.



### Stromversorgung

Netzbetrieb:  
AC 230 V ~, 50/60Hz

Batteriebetrieb:  
6 x 1,5V (Alkali Typ IEC LR20 / UM-1 / Größe D)

Reservebatterie:  
2 x 1,5V (Alkali Typ LR6 / UM-3 / Größe AA)

### Energieverbrauch (Netzstrom)

Betrieb: < 33 W  
Standby: < 1 W

### Frequenzbereich

UKW 87,5 – 108,0 MHz  
DAB 174,928 – 239,200 MHz

### Bluetooth

Version 3.0 Unterstützt Bluetooth-Profil A2DP, AVRCP und HFP

### Lautsprecher

Size 2 x Ø100mm  
Impedanz 8 ohms

### USB-Stromausgang

Max. 5V, 0.5A

### Ausgangsleistung

Nominal 2 x 10W

### Aux-Eingang

Ø3,5mm

Perfectpro B.V.  
Everdenberg 9A  
4902TT Oosterhout  
The Netherlands  
[www.perfectpro.eu](http://www.perfectpro.eu)